



CEILING AND SUMMER VENTILATION



CATALOGUE

Residential, commercial & industrial

NEW



INDEX



CEILING AND SUMMER VENTILATION



RESIDENTIAL CEILING FANS

NORDIK® AIR DESIGN RANGE NEW pag. 4
Ceiling fans

NORDIK® ECO RANGE NEW pag. 10
Reversible ceiling fans

NORDIK® EVOLUTION RANGE pag. 16
Ceiling fans

NORDIK® EVOLUTION *Gold* RANGE pag. 22
Ceiling fans

NORDIK® DESIGN 1S/1SL RANGE pag. 28
Ceiling fans

NORDIK® INTERNATIONAL PLUS RANGE pag. 34
Ceiling fans IPX5



SUMMER VENTILATION

GORDON RANGE pag. 60
Oscillating table, wall-mounting and pedestal fans

ARIANTE® RANGE pag. 64
Rotating, multi-directional

ARIANTE® TOWER SUPER pag. 68
Oscillating tower fans



COMMERCIAL AND INDUSTRIAL CEILING FANS

Thermal destratification pag.40

NORDIK® HVLS SUPER BLADE RANGE NEW pag. 42
Industrial ceiling fans

NORDIK® HEAVY DUTY RANGE pag. 48
Reversible ceiling fans for commercial and industrial application

NORDIK® INTERNATIONAL PLUS-R RANGE pag. 54
Ceiling fans IPX



ErP compliant
The ErP compliant logo indicates that the appliance is eco-compatible and adheres to the ErP directive 2009/125/CE.



The IMQ (Italian Mark Institute) mark certifies that the product is manufactured in compliance with the provisions of relevant established safety standards and directives.



The IMQ (Italian Mark Institute) denotes compliance with C.E.I. product performance regulations, and this is certified by the Istituto Italiano del Marchio di Qualità.

CE MARKING

Summer Ventilation appliances conform to the following European Directives:

- 2006/42/EC Machines Directive (MD)
- 2006/95/EC Low Voltage Directive (LVD)
- 2004/108/EC Electromagnetic Compatibility Directive (EMC)
- 2009/125/EC ErP Directive, Eco-compatible design of energy-related products in accordance with EU regulation 327/2011.

Safety:	EMC:
EN 60335-1	EN 55014-1
EN 60335-2-80	EN 55014-2
EN 60529	EN 61000-3-2
EN 62233	EN 61000-3-3

European Regulation N° 1275/2008/UE
European Regulation N° 206/2012.



NORDIK® AIR DESIGN RANGE

NEW

Ceiling fans

Reversible ceiling fans with 3 blades for residential and commercial applications, characterised by the sophisticated aesthetics, the work of Momodesign, and which, on request, can be configured in a wide range of sizes and colours. Distinctive characteristics of the NORDIK AIR DESIGN fans are the advanced technologies used, from the carbon fibre blades to the LED lighting system, to the radio frequency remote control, studied to maximise the usability of the products, minimise noise emissions and optimise consumption.

- 12 standard models, with different nominal diameters (1400 mm, 1800 mm), suspension rod lengths (170 mm and 290 mm) and aesthetic finishes. Additional versions can be obtained on request, from the combination of motor lids, suspension rods and sets of blades which have different dimensions and colours.
- Design and construction entirely "Made in Italy".
- Design: **MOMODESIGN**
- This range of fans consists of 12 models and 4 standard configurations.
- Other versions can be created by combinations of 4 different motor unit kits, 12 different suspension kits and 16 different blade kits.
- A special program, accessible on vortice.com, will guide customers in configuring the product that most suits their tastes and /or needs.



LED LIGHTING
Built with a modern 3500 °K LED lighting system which offers 3 lighting modes that can be selected and modified from the integrated RF remote control.

CARBON FIBRE BLADES
Highly resistant, lightweight, excellent aesthetic impact, high performance and low noise emissions.

Radio frequency remote control (RF), which allows to:

1. switch the product on/off;
2. control rotation speed (5 pre-defined alternatives available);
3. set the direction of rotation, and with it, decide the direction of the flow of air generated;
4. switch the light on/off, at the same time selecting the type of lighting desired;
5. control the brightness of the light source;
6. programme delayed fan switch off in steps of 15', up to a maximum of 75'.





SUSPENSION SYSTEM KIT
Available in 4 colours: white, transparent, red and titanium.
Choice of 3 different lengths: 170; 290; 665 mm.



RETRACTABLE FASTENING
The particular shape of the suspension tube lets you keep the hooking device hidden.



MOTOR UNIT KIT
Available in 4 colours: white, titanium, red and transparent.



BLADE FINISHES
Available in 4 finishes:
Visible carbon; carbon/rosewood
carbon/wenge; carbon/oak.
Choice of blade dimensions: 120 - 140 - 160 - 180.





NORDIK® AIR DESIGN RANGE

NEW

Ceiling fans

- Caps, motor covers and external casings of the support rods (suspension pipes) incorporating the control electronics, moulded in transparent plastic resin (PC), embossed internally and painted in different colours.
- Reverse function It allows to reverse the air flow direction from floor to ceiling: this means that the flow is no longer direct, but wider and more all-round. It also helps reducing the difference in temperature between the floor (where the temperature is lower) and the ceiling (where it is in winter time).
- Carbon fibre blades, to team lightness and torsional rigidity, shaped with airfoil profile to combine reduced noise levels and high efficiency even at low speeds.
- Electro-galvanised steel support rods.
- Can be installed on steep sloping ceilings.
- External rotor type self-protected motors, operating clockwise and anti-clockwise, with shafts mounted on ball bearings to guarantee prolonged continuous service at maximum plate temperature and designed to ensure high performance also at low speeds.
- LED lighting system (3500 °K colour temperature), which offers three alternative lighting modes, which are selected via remote control.
- Safety cable, compliant with the most recent international regulation regarding safety of ceiling fans, to prevent risks of falling if the product is not installed correctly.
- Safety certified by third party body (CE).
- Class of electric isolation: II (earthing not required).

Adjustable LED system

HOME ENVIRONMENT

Powered by 60 LEDs in the central part of the ceiling lamp, 120° light beam, intensity adjustable as desired.



WORK ENVIRONMENT ("DARK LIGHT")

Powered by 50 LEDs in the outer crown of the ceiling lamp, 70° light beam, intensity adjustable as desired.



MIXED HOME-WORK ENVIRONMENT

Powered by all 110 LEDs on the ceiling lamp, intensity adjustable as desired.



TECHNICAL DATA

MODELS	CODE	COLOR	V	HZ	W	A	RPM	NR. BLADE	MAX AIRFLOW m ³ /h	Kg
NORDIK AIR DESIGN 140-17	61030	TRASPARENT	220 - 240	50	115	0.54	184	3	12500	9.7
NORDIK AIR DESIGN 140-17	61033	WHITE	220 - 240	50	115	0.54	184	3	12500	9.7
NORDIK AIR DESIGN 140-17	61036	TITANIUM	220 - 240	50	115	0.54	184	3	12500	9.7
NORDIK AIR DESIGN 140-29	61031	TRASPARENT	220 - 240	50	115	0.54	184	3	12500	9.7
NORDIK AIR DESIGN 140-29	61034	WHITE	220 - 240	50	115	0.54	184	3	12500	9.8
NORDIK AIR DESIGN 140-29	61037	TITANIUM	220 - 240	50	115	0.54	184	3	12500	9.8
NORDIK AIR DESIGN 160-29	61032	TRASPARENT	220 - 240	50	115	0.54	162	3	15500	10.0
NORDIK AIR DESIGN 160-29	61035	WHITE	220 - 240	50	115	0.54	162	3	15500	10.0
NORDIK AIR DESIGN 160-29	61038	TITANIUM	220 - 240	50	115	0.54	162	3	15500	10.0
NORDIK AIR DESIGN 180-29	61039	TRASPARENT	220 - 240	50	115	0.54	148	3	16500	10.0
NORDIK AIR DESIGN 180-29	61041	WHITE	220 - 240	50	115	0.54	148	3	16500	10.0
NORDIK AIR DESIGN 180-29	61042	TITANIUM	220 - 240	50	115	0.54	148	3	16500	10.0

NORDIK[®] AIR DESIGN RANGE | TECHNICAL DATA FOR REGULATION N° 206/2012 UE

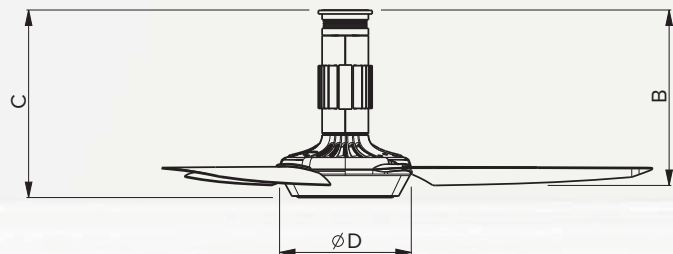
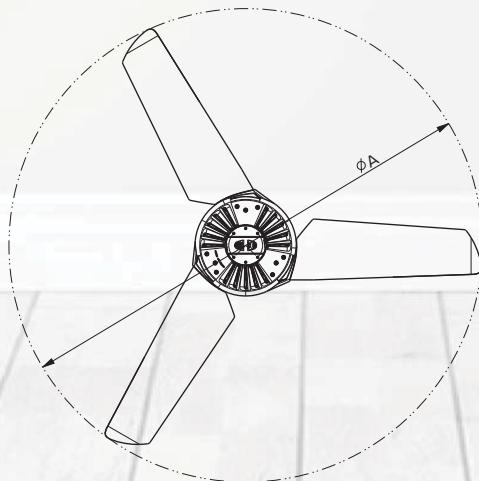
	SYMBOL	UNIT	NORDIK AIR DESIGN 140-17	NORDIK AIR DESIGN 140-29	NORDIK AIR DESIGN 160-29	NORDIK AIR DESIGN 180-29
CODE			61030 - 61033 - 61036	61031 - 61034 - 61037	61032 - 61035 - 61038	61039 - 61041 - 61042
Maximun fan air flow	F	m ³ /min	208.33	208.33	258.33	275
Fanpower input	P	W	115	115	115	115
Service value	SV	(m ³ /min)W	1.811	1.811	2.246	2.391
Standby power consumption	PSB	kW	-	-	-	-
Fan sound power level	LWA	dB(A)	48.2	48.2	48.7	48.9
Maximum air velocity	C	m/sec	1.57	1.57	1.49	1.42

Measurement standard for service value

IEC 60879; EN62301: UNI EN ISO 3741

For more information refer to: Vortice Elettrosociali Spa, Strada Cerca, 2 - 20067 Zoate di Tribiano (MI) Italia

DIMENSIONS



MODELS	CODE	ØA	B	C	ØD
NORDIK AIR DESIGN 140-17	61030 - 61033 - 61036	1400	400	425	300
NORDIK AIR DESIGN 140-29	61031 - 61034 - 61037	1400	520	545	300
NORDIK AIR DESIGN 160-29	61032 - 61035 - 61038	1600	520	545	300
NORDIK AIR DESIGN 180-29	61039 - 61041 - 61042	1800	520	545	300

Dimensions (mm)



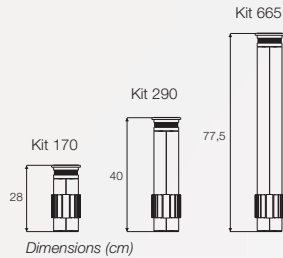
NORDIK® AIR DESIGN RANGE

NEW

Ceiling fans

CUSTOMISATION

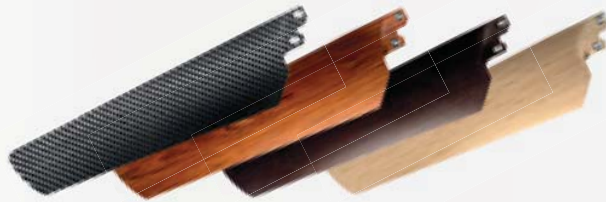
Create your Air Design however you like: choose the blade kit finish, the colour of the suspension system kit and the motor unit kit directly from our new configurator, available on our website [vortice.com \(http://airdesign.vortice.it/en\)](http://airdesign.vortice.it/en).



SUSPENSION SYSTEM KIT

COLOR	170	290	665
TRASPARENT	21040	21045	21050
WHITE	21041	21046	21051
TITANIUM	21042	21047	21052
RED	21043	21048	21053

MOTOR UNIT KIT			
TRASPARENT	WHITE	TITANIUM	RED
21020	21021	21022	21023



BLADE KIT

COLOR	120 CM	140 CM	160 CM	180 CM
CARBON BLADE	21060	21064	21068	21072
CARBON ROSEWOOD BLADE	21061	21065	21069	21073
CARBON OAK BLADE	21062	21066	21070	21074
CARBON WENGE BLADE	21063	21067	21071	21075

EXAMPLE CONFIGURATION

White Suspension
System Kit 290 code 21046
White Motor Unit Kit code 21021
Carbon Oak Blade Kit 160
code 21070



Titanium Suspension
System Kit 290 code 21047
Titanium Motor Unit Kit code 21022
Carbon Rosewood Blade Kit 160
code 21069



White Suspension
System Kit 290 code 21046
Red Motor Unit Kit code 21023
Carbon Blade Kit 160
code 210687



White Suspension
System Kit 290 code 21046
White Motor Unit Kit code 21021
Carbon Wenge Blade Kit 160
code 21071







NORDIK® ECO RANGE

NEW

Energy saving and reversible ceiling fans

Reversible ceiling fans for residential and commercial applications, equipped with EC motors (brushless), which ensure low consumption (indicatively half that of traditional AC units of equal power and performance), and allow the speed to be controlled to adapt performance to the actual requirements.

- 6 models, available with blade diameters of 90, 120, 140, 160, 180, 200 all white.
- Design and construction entirely "Made in Italy".
- Reduced consumption (important in the case of a high number of products installed and prolonged periods of their annual use).
- High continuous use environment temperature (45°C).
- Indicated also for night-time operation, thanks to the painted sheet steel blades with profile accurately studied to guarantee particularly silent operation.
- Reversibility function: it is possible to invert the direction of the air flow, directing it from the bottom upwards to create an indirect flow and therefore more comfortable, enveloping and ample. In this way, de-stratification of the heat is improved in the winter, reducing the temperature difference between the floor (colder) and the ceiling (warmer).
- Cools persons positioned within a circumference corresponding to approx. 2.5 times the outside diameter of the blades in a completely free environment. In the presence of walls tangent to the circumference, the cooling effect is accentuated. The minimum height of the fan from the ground must be 2.3 m.
- Caps and motor covers in heat resistant plastic resin (ABS), which are also "UV resistant".
- Electronic switch-over (EC) brushless motors with shaft mounted on ball bearings to guarantee long lasting continuous service at the maximum plate temperature, and able to ensure high performance over the operating range. Integrated motor driver.
- White painted steel sheet support rods. In the 180/70" and 200/80" models the blades have specific reinforcement in the area of fixing to the motor, to guarantee higher mechanical resistance and duration over time.
- Supplied with a support rod measuring 290 mm long in steel painted with scratch-proof polyester paint.
- Bag of accessories containing the hardware necessary to mount the blades, the hook and the vibration damper rubber for ceiling mounting.
- Set-up to house the relevant light kit (optional) equipped with LEDs that guarantee very low consumption (approx. 25 W with respect to the 150 W of a traditional incandescent light bulb of equal 2000 Lumen, brightness), based on an average duration up to 25 times longer.
- Possibility of control via Vortice 5 speed control units or TELENORDIK ECO remote control (optional).
- Safety certified by third party body (CE).
- Protection rating from dusts and water: IP20.
- Class of electric isolation: I (earthing required).
- Compliant with the requirements of European Regulation N° 206/2012.

HIGH PERFORMANCE thanks to the particular design of the blades, fans of the NORDIK ECO range are able to displace large airflows, varying in volume according to the model size.

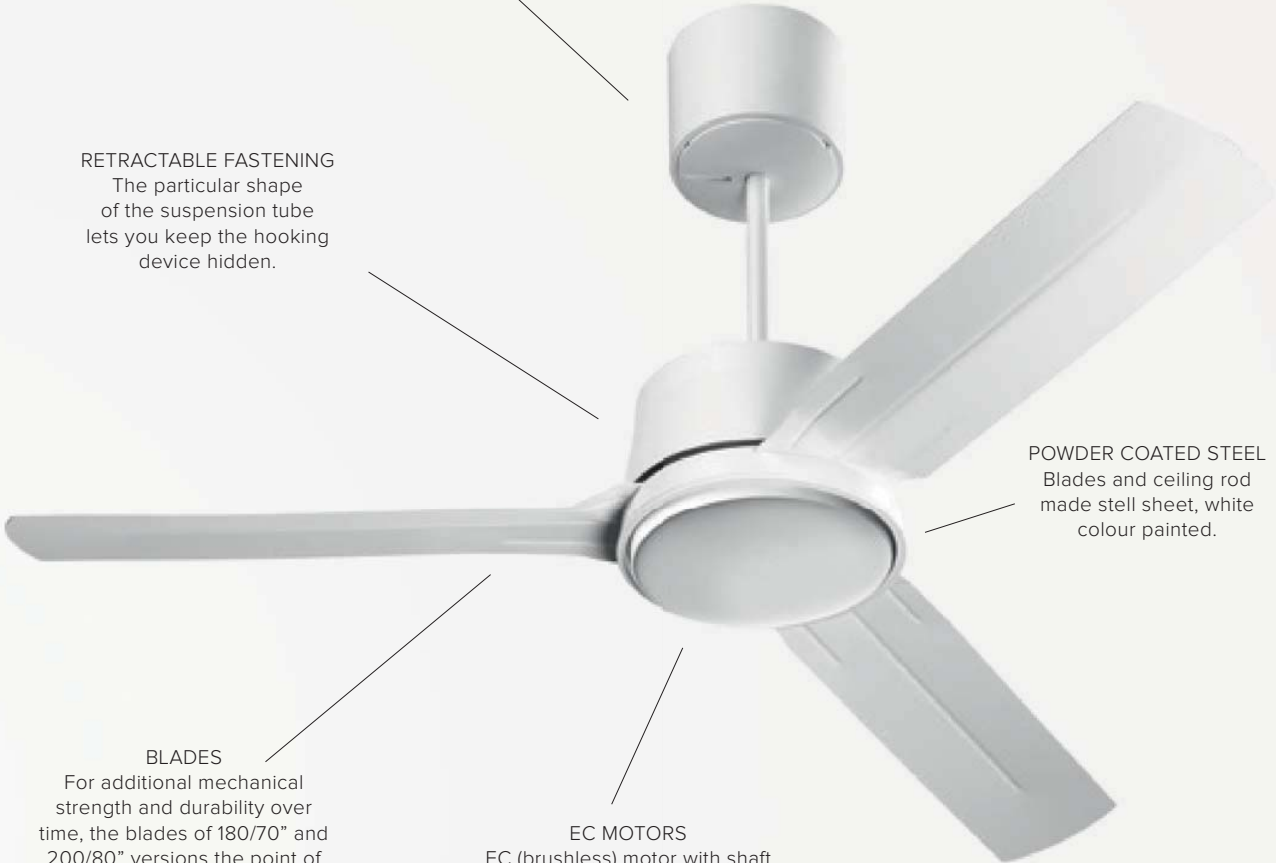




MOTOR CUPS AND COVERS
Motor cups and covers made moulded from heat-resistant plastic resin, white colour.

RETRACTABLE FASTENING
The particular shape of the suspension tube lets you keep the hooking device hidden.

POWDER COATED STEEL
Blades and ceiling rod made steel sheet, white colour painted.



BLADES
For additional mechanical strength and durability over time, the blades of 180/70" and 200/80" versions the point of attachment to the motor.

EC MOTORS
EC (brushless) motor with shaft turning in ball bearings, capable of delivering high efficiency across the entire operating range. Built in motor driver.



The hanger consists of a special plate with 4 holes for tight and durable fastening, which can also be used to suspend the appliance from sloping ceilings.



NORDIK® ECO RANGE NEW

Energy saving and reversible ceiling fans

TECHNICAL DATA

MODELS	CODE	COLOUR	V	Hz	W	A	RPM	Blades	Max airflow m ³ /h
NORDIK ECO 90/36"	61060	White	220-240	50	27	0,26	250	3	9500
NORDIK ECO 120/48"	61061				30	0,29	235		14100
NORDIK ECO 140/56"	61062				30	0,29	235		16500
NORDIK ECO 160/60"	61063				30	0,29	210		17200
NORDIK ECO 180/70"	61064				40	0,37	205		21000
NORDIK ECO 200/80"	61065				40	0,37	200		22500

NORDIK® ECO RANGE | TECHNICAL DATA FOR REGULATION N° 206/2012 UE

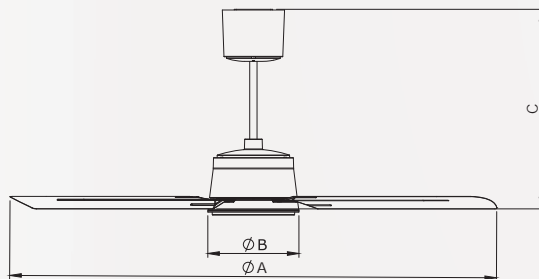
	SYMBOL	UNIT	NORDIK ECO 90/36"	NORDIK ECO 120/48"	NORDIK ECO 140/56"	NORDIK ECO 160/60"	NORDIK ECO 180/70"	NORDIK ECO 200/80"
CODE			61060	61061	61062	61063	61064	61065
Maximun fan air flow	F	m ³ /min	158,33	234,17	275	286,67	350	375
Fanpower input	P	W	27	30	30	30	40	40
Service value	SV	(m ³ /min)W	5,864	7,833	9,167	9,556	8,750	9,375
Standby power consumption	PSB	kW	0,38	0,38	0,38	0,38	0,38	0,38
Fan sound power level	LWA	dB(A)	45,6	52,1	53,9	54,2	56,9	57,8
Maximum air velocity	C	m/sec	2,88	2,41	2,07	1,65	1,59	1,38

Measurement standard for service value

IEC 60879; EN62301 : UNI EN ISO 3741

For more information refer to: Vortice Elettrosociali Spa, Strada Cerca, 2 - 20067 Zoate di Tribiano (MI) Italia

DIMENSIONS



MODELS	CODE	A	B	C
NORDIK ECO 90/36"	61060	914	237	535
NORDIK ECO 120/48"	61061	1218	237	535
NORDIK ECO 140/56"	61062	1422	237	535
NORDIK ECO 160/60"	61063	1524	237	535
NORDIK ECO 180/70"	61064	1800	237	535
NORDIK ECO 200/80"	61065	2000	237	535

Dimensions (mm)

ACCESSORIES

POT R (code 12829)

TELENORDIK ECO (code 21200)

VORT DELTA T WiFi (code 21200)

KIT SPARE BLADE

CEILING RODS

Various lenghts to enable installation at desired height.



Potentiometer - for external setting of controllers with 0-10 V



Infrared remote control



WiFi multiple controller



NKE BLK 900 mm (code 21162)
NKE BLK 1200 mm (code 21163)
NKE BLK 1400 mm (code 21164)
NKE BLK 1600 mm (code 21165)
NKE BLK 1800 mm (code 21166)
NKE BLK 2000 mm (code 21167)



NKE ROD 160 mm (code 21150)
NKE ROD 290 mm (code 21151)
NKE ROD 350 mm (code 21152)
NKE ROD 500 mm (code 21153)
NKE ROD 665 mm (code 21154)
NKE ROD 915 mm (code 21155)





NORDIK® ECO RANGE

NEW

Energy saving and reversible ceiling fans

APPLICATIONS





APPLICATIONS





NORDIK® EVOLUTION RANGE

Ceiling fans

Ideal for use in bedrooms, living rooms, shops, stores and other public places.

- Nominal diameter of blades 900, 1200, 1400 and 1600 mm.
- Top and bottom motor covers moulded from heat-resistant and UV-resistant thermoplastic resin (ABS), colour white.
- Wiring connections at end of ceiling rod concealed by domes moulded from impact- and UV-resistant thermoplastic resin (PP).
- Four color finishes: white, silver, black and briar wood.
- Single phase start capacitor motor with external rotor, and shaft turning in ball bearings. Direction of rotation reversible.
- Maximum air flow 17011 m³/h.
- 3 sheet steel blades powder coated with scratch-resistant polyester.
- Steel ceiling rod with scratch-resistant polyester powder coated finish, length 375 mm.
- Bag of accessories containing nuts and bolts required for assembly of blades, ceiling hook and rubber anti-vibration washer.
- Factory-prepared to accept 2 specific optional light kits: with lamp rated 105 W max, E27 screw fitting; with 2x15 W max energy saving lamp, E27 screw fitting (mandatory in EU).
- Speed selectable by way of control units or Telenordik 5TR remote control (optional).
- Insulation class: Cl.I ⚡.

Reverse function

It allows to reverse the air flow direction from floor to ceiling: this means that the flow is no longer direct, but wider and more all-round. It also help reducing the difference in temperature between the floor (where the temperature is lower) and the ceiling (where it is in winter time).



EVOLUTION LIGHT KIT ES
with 1 incandescent light with max
power 105 W and E27 socket.

EVOLUTION LIGHT KIT
with 2 energy efficient E27
socket lamps.

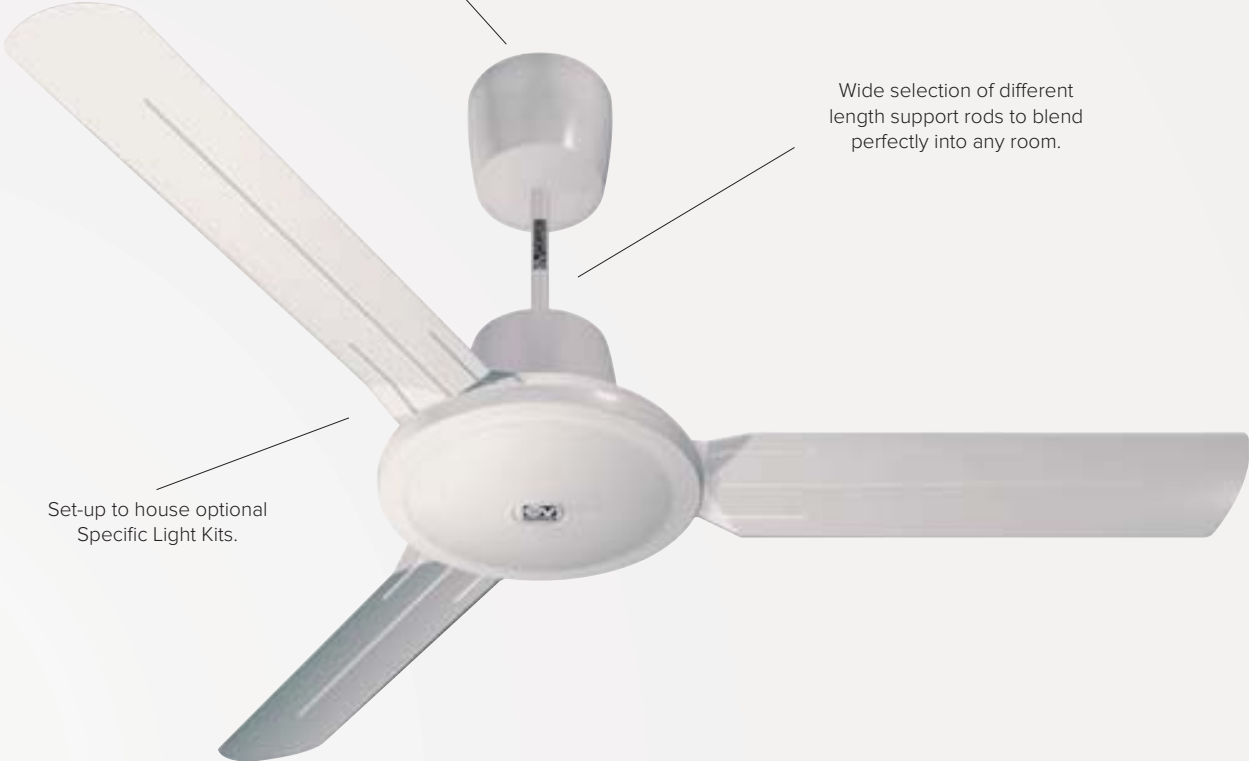




Steel ceiling attachment hook for complete operating safety.

Wide selection of different length support rods to blend perfectly into any room.

Set-up to house optional Specific Light Kits.



Black



Silver



Wood grain





NORDIK® EVOLUTION RANGE

Ceiling fans

TECHNICAL DATA

MODELS	CODE	COLOR	V	HZ	W	A	RPM	NR. BLADE	MAX AIRFLOW m³/h	Kg
NORDIK EVOLUTION R 90/36"	61750	WHITE	220 - 240	50	70	0.34	200	3	11592	6.4
	61751	WHITE	220 - 240	50	70	0.34	198	3	13810	6.8
NORDIK EVOLUTION R 120/48"	61754	SILVER	220 - 240	50	70	0.34	198	3	13810	6.8
	61755	WOOD GRAIN	220 - 240	50	70	0.34	198	3	13810	6.8
	61756	BLACK	220 - 240	50	70	0.34	198	3	13810	6.8
NORDIK EVOLUTION R 140/56"	61752	WHITE	220 - 240	50	70	0.35	197	3	16586	7.1
	61757	SILVER	220 - 240	50	70	0.35	197	3	16586	7.1
	61758	WOOD GRAIN	220 - 240	50	70	0.35	197	3	16586	7.1
	61759	BLACK	220 - 240	50	70	0.35	197	3	16586	7.1
NORDIK EVOLUTION R 160/60"	61753	WHITE	220 - 240	50	70	0.34	193	3	17011	7.6

NORDIK® EVOLUTION RANGE | TECHNICAL DATA FOR REGULATION N° 206/2012 UE

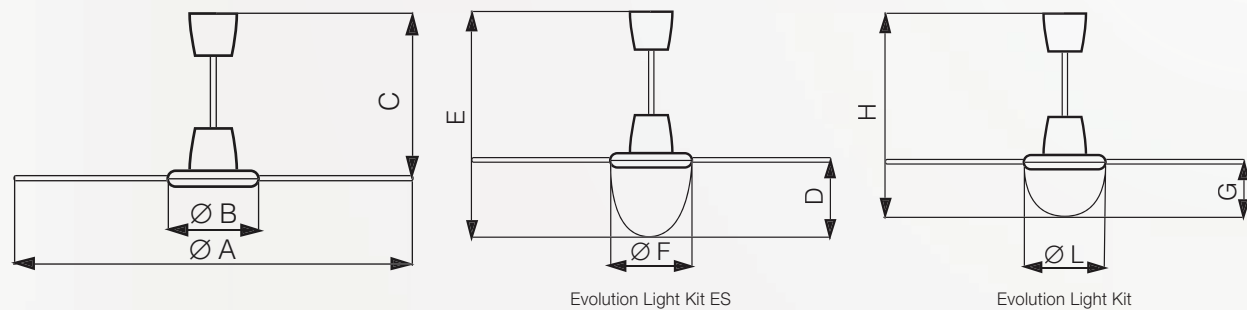
CODE	SYMBOL	UNIT	NORDIK EVOLUTION 90/36"	NORDIK EVOLUTION 120/48"	NORDIK EVOLUTION 140/56"	NORDIK EVOLUTION 160/60"
			61750	61751 - 61754 61755 - 61756	61752 - 61757 61758 - 61759	61753
Maximum fan air flow	F	m³/min	193.20	230.17	276.43	283.52
Fanpower input	P	W	70	70	70	70
Service value	SV	(m³/min)W	2.760	3.288	3.949	4.050
Standby power consumption	PSB	kW	-	-	-	-
Fan sound power level	LWA	dB(A)	46.1	49.1	52.6	55.6
Maximum air velocity	C	m/sec	3.52	2.36	2.08	1.63

Measurement standard for service value

IEC 60879; EN62301: UNI EN ISO 3741

For more information refer to: Vortice Elettrosociali Spa, Strada Cerca, 2 - 20067 Zoate di Tribiano (MI) Italia

DIMENSIONS



MODELS	CODE	ØA	ØB	C	ØD	E	ØF	G	H	ØL
NORDIK EVOLUTION R 90/36"	61750	980	298	495	229	724	291	145	640	291
NORDIK EVOLUTION R 120/48"	61751 - 61754 61755 - 61756	1284	298	495	229	724	291	145	640	291
	61752 - 61757 61758 - 61759	1488	298	495	229	724	291	145	640	291
NORDIK EVOLUTION R 160/60"	61753	1590	298	495	229	724	291	145	640	291

Dimensions (mm)





NORDIK® EVOLUTION RANGE

Ceiling fans

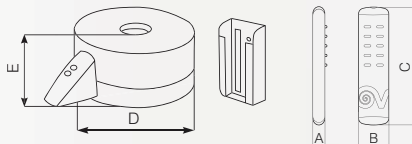
ACCESSORIES

TELENORDIK 5TR (code 22386)



- New infrared remote control 5 speeds-timer-reverse
- The receiver is hidden inside the fan casing, with only the tip in which the sensor is located protruding.
- Uses infrared transmission to eliminate possible interference with radios or other electrical units.
- Set consists of a receiver, which is fitted to the fan ceiling rod, a transmitter, which sends the desired commands to the fan and a transmitter carrying case which can be fixed to the wall.
- Provided with LED indicators showing operation and "stand-by" status (power on).
- Remote-control range: approximately 13 meters line of sight.
- Fan and remote-control unit are both IMQ approved.
- Easy to install as connections between the fan and fixed speed regulator are not necessary.
- Transmitter can control any TeleNordik receiver.

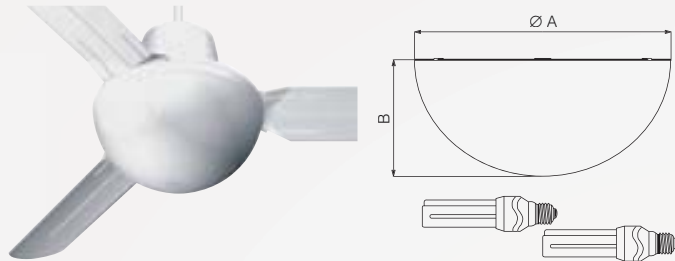
Remote control	-	infrared
Receiver Volt at 50 Hz	Hz	220-240
Stand by	W	0.558
Maximum load Watt	W	100
Transmitter battery	-	2 x AAA 1.5 V
Receiver	Kg	0.76
Transmitter	Kg	0.06
Insulation	-	Cl. II



Models	A	B	C	D	E
5TR	20	43	155	154	62

Dimensions (mm)

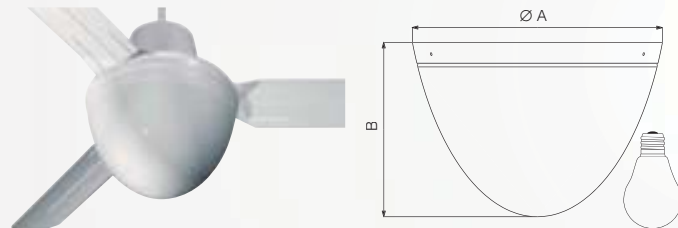
EVOLUTION LIGHT KIT ES (code 22414)



- Lighting system kit for all Nordik Evolution fans.
- Model for two energy saving lamps with Edison E27 fittings and maximum power output of 15 W each (equivalent to 75 W each).
- Diffuser globe made of strong laminated glass with opaque finish.
- Lamp max 15 W.
- Length=165 mm max.
- Not suitable for incandescent bulbs.

Models	ØA	B	Kg
Evolution Light Kit ES	291	120	1.0

EVOLUTION LIGHT KIT (code 22413)



- Lighting system kit for all Nordik Evolution fans.
- Model for one traditional incandescent bulb with Edison E27 fitting and maximum power output of 150 W.
- Diffuser made of opalescent laminated glass.

Models	ØA	B	Kg
Evolution Light Kit	291	203	1.6

KIT SCBRR5/5L/M BUILT-IN (cod. 22489)



- Kit to convert SCRR5 and SCRR5L position controllers from surface to flush-mounted.

SCRR/M (code 12965)



- Electronic reversible speed controller for use with up to 6 ceiling-mounted fans.
- Convertible to flush mounted using SCBRR5/5L/M.
- 220-240V ~ 50 Hz.
- Maximum load: 450W (2.5 A).
- Weight: 0.2 Kg.
- Double insulation.

SCRR5 (code 12963)



- 5-position reversible speed controller for ceiling-mounted fans without light.
- Convertible to flush-mounted using SCBRR5/5L/M.
- 220-240V ~ 50 Hz.
- Maximum load: 100W.
- Weight: 0.58 Kg.
- Double insulation.

SCRR5L (code 12964)



- 5-position reversible speed controller for ceiling-mounted fans with light.
- Convertible to flush-mounted using SCBRR5/5L/M.
- 220-240V ~ 50 Hz.
- Maximum load: 250W.
- Weight: 0.58 Kg.
- Double insulation.



ACCESSORIES

KIT SCB
(code 22481)



- Kit to convert C 2.5 electronic speed controller from surface to flush mounted.

KIT SCB5
(code 22483)



- Kit to convert SCNR5 and SCNRL5 5 position controllers from surface to flush mounted.

CEILING RODS

Various lengths to enable installation at desired height.



WHITE

- Asta NK I 200 mm (code 22032)
- Asta NK I 250 mm (code 22033)
- Asta NK I 350 mm (code 22042)
- Asta NK I 500 mm (code 22051)
- Asta NK I 750 mm (code 22074)
- Asta NK I 1000 mm (code 22077)

SILVER

- Asta NK I 200 mm (code 22023)
- Asta NK I 250 mm (code 22024)
- Asta NK I 350 mm (code 22026)
- Asta NK I 500 mm (code 22027)
- Asta NK I 750 mm (code 22028)
- Asta NK I 1000 mm (code 22029)

BLACK

- Asta NK I 275 mm (code 22036)
- Asta NK I 375 mm (code 22037)
- Asta NK I 520 mm (code 22038)
- Asta NK I 775 mm (code 22039)
- Asta NK I 1025 mm (code 22043)

WOOD-GRAIN

- Asta NK I 200 mm (code 22079)
- Asta NK I 275 mm (code 22047)
- Asta NK I 350 mm (code 22058)
- Asta NK I 500 mm (code 22092)
- Asta NK I 750 mm (code 22064)
- Asta NK I 1000 mm (code 22071)

FLUSH OR WALL MOUNTED CONTROLS

SC 503 B (cod. 12801)



SC 503 N (cod. 12802)



SC EXT B (cod. 12803)



Thanks to their simple innovative design, these units more than meet the aesthetics expected of them for both domestic and commercial applications. Backing plate, knob, sliders and adapters made from polycarbonate; face plate and controller for wall mounting made from UV-resistant ABS. On the white and anthracite grey flush mounted versions, the knob and face plate are in matching colours. Both the flush and wall mounted version come with:

- knob with settings from 0 to 5 for various speeds (0 = OFF, 1-5 = fan speed);
- a LED that shows when the fan is ON.
- two slider switches - one for the light and the other to reverse the fan (where applicable).
- Vortice ceiling fan controls are IMO approved solely and exclusively for use with Vortice ceiling fans.

AVAILABLE OPTIONAL ANCILLARIES



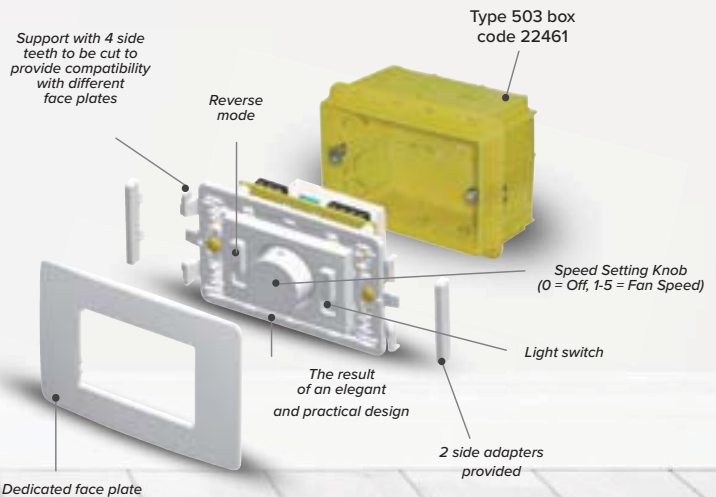
Anthracite grey face plate
code 22463



White face plate
code 22462



Recessed versions, thanks to an intermediate adjustable support, can be coupled with various existing standard face plates, satisfying diverse aesthetic requirements.



Power supply voltage (V): 220 - 240
Power supply frequency (Hz): 50
Max power consumption (W): 18



NORDIK® EVOLUTION *Gold* RANGE

Ceiling fans

Ideal for use in bedrooms, living rooms, shops, stores and other public places.

- Nominal diameter of blades 1200 and 1400 mm.
- Top and bottom motor covers moulded from heat-resistant and UV-resistant thermoplastic resin (ABS), "metal looking" mirror finish, colour WHITE GOLD or BLACK GOLD.
- Wiring connections at end of ceiling rod concealed by domes moulded from impact- and UV-resistant thermoplastic resin (PP).
- Single phase start capacitor motor with external rotor, and shaft turning in ball bearings. Direction of rotation reversible.
- Maximum air flow 16586 m³/h
- 3 sheet steel blades powder coated with scratch-resistant polyester.
- Steel ceiling rod with scratch-resistant polyester powder coated finish, length 375 mm.
- Bag of accessories containing nuts and bolts required for assembly of blades, ceiling hook and rubber anti-vibration washer.
- Possibility of automatic adjustment up to 16 fans simultaneously, in relation to the differential measured by two temperature sensors (VORT DELTA T optional).
- Factory-prepared to accept 2 specific optional light kits: with lamp rated 105 W max, E27 screw fitting; with 2x15 W max energy saving lamp, E27 screw fitting (mandatory in EU).
- Speed selectable by way of control units or Telenordik 5TR remote control (optional)
- Insulation class: Cl.I ⊕

Reverse function

It allows to reverse the air flow direction from floor to ceiling: this means that the flow is no longer direct, but wider and more all-round. It also helps reducing the difference in temperature between the floor (where the temperature is lower) and the ceiling (where it is winter time).



Steel ceiling attachment hook for complete operating safety.





Wide selection of different length support rods to blend perfectly into any room

Set-up to house optional Specific Light Kits.





NORDIK® EVOLUTION Gold RANGE

Ceiling fans

TECHNICAL DATA

MODELS	CODE	COLOR	V	HZ	W	A	RPM	NR. BLADE	MAX AIRFLOW m³/h	Kg
NORDIK EVOLUTION R 120/48"	61733	WHITE GOLD	220 - 240	50	70	0.34	198	3	13810	6.8
NORDIK EVOLUTION R 120/48"	61735	WHITE BLACK	220 - 240	50	70	0.34	198	3	13810	6.8
NORDIK EVOLUTION R 140/56"	61734	WHITE GOLD	220 - 240	50	70	0.35	197	3	16586	7.1
NORDIK EVOLUTION R 140/56"	61736	WHITE BLACK	220 - 240	50	70	0.35	197	3	16586	7.1

NORDIK® EVOLUTION GOLD RANGE | TECHNICAL DATA FOR REGULATION N° 206/2012 UE

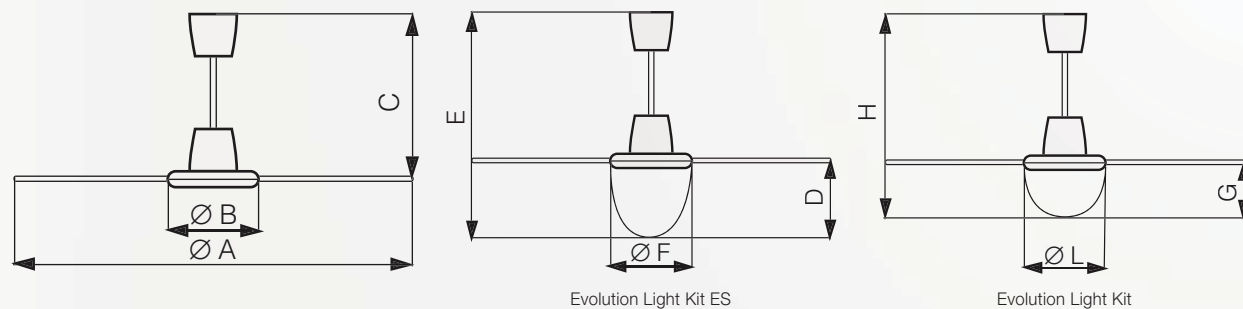
SYMBOL	UNIT	NORDIK EVOLUTION 120/48"		NORDIK EVOLUTION 140/56"	
		CODE	61733 - 61735	61734 - 61736	
Maximum fan air flow	F	m³/min	230.17	276.43	
Fanpower input	P	W	70	70	
Service value	SV	(m³/min)W	3.288	3.949	
Standby power consumption	PSB	kW	-	-	
Fan sound power level	LWA	dB(A)	49.1	52.6	
Maximum air velocity	C	m/sec	2.36	2.08	

Measurement standard for service value

IEC 60879; EN62301; UNI EN ISO 3741

For more information refer to: Vortice Elettrosociali Spa, Strada Cerca, 2 - 20067 Zoate di Tribiano (MI) Italia

DIMENSIONS



MODELS	CODE	ØA	ØB	C	ØD	E	ØF	G	H	ØL
NORDIK EVOLUTION R 120/48"	61733 - 61735	1284	298	495	229	724	291	145	640	291
NORDIK EVOLUTION R 140/56"	61734 - 61736	1488	298	495	229	724	291	145	640	291

Dimensions (mm)





NORDIK® EVOLUTION Gold RANGE

Ceiling fans

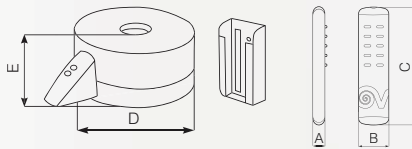
ACCESSORIES

TELENORDIK 5TR (code 22386)



- New infrared remote control 5 speeds-timer-reverse
- The receiver is hidden inside the fan casing, with only the tip in which the sensor is located protruding.
- Uses infrared transmission to eliminate possible interference with radios or other electrical units.
- Set consists of a receiver, which is fitted to the fan ceiling rod, a transmitter, which sends the desired commands to the fan and a transmitter carrying case which can be fixed to the wall.
- Provided with LED indicators showing operation and "stand-by" status (power on).
- Remote-control range: approximately 13 meters line of sight.
- Fan and remote-control unit are both IMQ approved.
- Easy to install as connections between the fan and fixed speed regulator are not necessary.
- Transmitter can control any TeleNordik receiver.

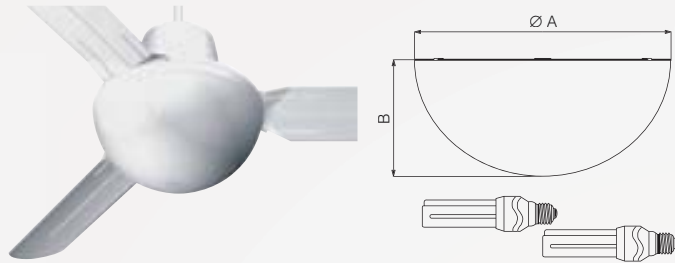
Remote control	-	infrared
Receiver Volt at 50 Hz	Hz	220-240
Stand by	W	0.558
Maximum load Watt	W	100
Transmitter battery	-	2 x AAA 1.5 V
Receiver	Kg	0.76
Transmitter	Kg	0.06
Insulation	-	Cl. II



Models	A	B	C	D	E
5TR	20	43	155	154	62

Dimensions (mm)

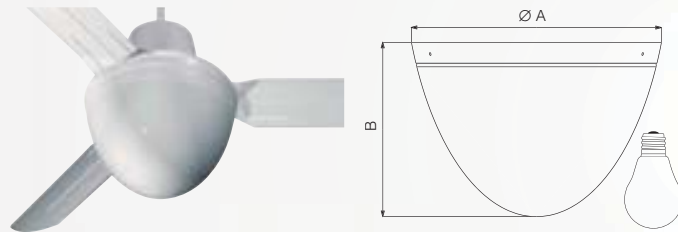
EVOLUTION LIGHT KIT ES (code 22414)



- Lighting system kit for all Nordik Evolution fans.
- Model for two energy saving lamps with Edison E27 fittings and maximum power output of 15 W each (equivalent to 75 W each).
- Diffuser globe made of strong laminated glass with opaque finish.
- Lamp max 15 W.
- Length=165 mm max.
- Not suitable for incandescent bulbs.

Models	ØA	B	Kg
Evolution Light Kit ES	291	120	1.0

EVOLUTION LIGHT KIT (code 22413)



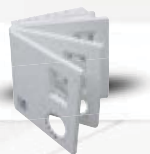
- Lighting system kit for all Nordik Evolution fans.
- Model for one traditional incandescent bulb with Edison E27 fitting and maximum power output of 150 W.
- Diffuser made of opalescent laminated glass.

Models	ØA	B	Kg
Evolution Light Kit	291	203	1.6



KIT SPARE BLADES
(code 22676)
120/48" white gold

KIT SCBRR5/5L/M BUILT-IN
(code 22489)



- Kit to convert SCRR5 and SCRR5L position controllers from surface to flush-mounted.

SCRR/M (code 12965)



- Electronic reversible speed controller for use with up to 6 ceiling-mounted fans.
- Convertible to flush mounted using SCBRR5/5L/M.
- 220-240V ~ 50 Hz.
- Maximum load: 450W (2.5 A).
- Weight: 0.2 Kg.
- Double insulation.

SCRR5 (code 12963)



- 5-position reversible speed controller for ceiling-mounted fans without light.
- Convertible to flush-mounted using SCBRR5/5L/M.
- 220-240V ~ 50 Hz.
- Maximum load: 100W.
- Weight: 0.58 Kg.
- Double insulation.

SCNR5 (code 12955)



- 5 position speed controller for ceiling-mounted fans without light.
- Convertible to flush-mounted using SCB5 Kit.
- 220-240V ~ 50 Hz.
- Maximum load: 100W.
- Weight: 0.58 Kg.w
- Double insulation.

CEILING RODS
Various lengths to enable installation at desired height.



WHITE GOLD

- Asta NK | 200 mm (code 22681)
- Asta NK | 250 mm (code 22682)
- Asta NK | 350 mm (code 22683)
- Asta NK | 500 mm (code 22684)
- Asta NK | 750 mm (code 22685)
- Asta NK | 1000 mm (code 22686)

FLUSH OR WALL MOUNTED CONTROLS

SC 503 B (cod. 12801)

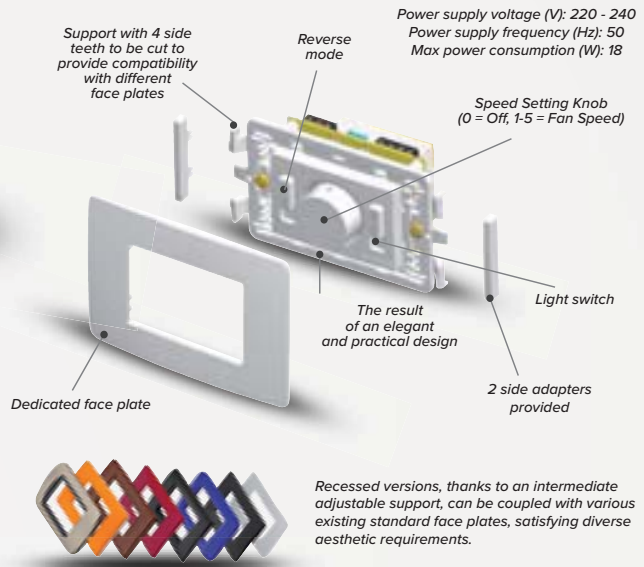


SC EXT B (cod. 12803)



Thanks to their simple innovative design, these units more than meet the aesthetics expected of them for both domestic and commercial applications. Backing plate, knob, sliders and adapters made from polycarbonate; face plate and controller for wall mounting made from UV-resistant ABS. On the white and anthracite grey flush mounted versions, the knob and face plate are in matching colours. Both the flush and wall mounted version come with:

- knob with settings from 0 to 5 for various speeds (0 = OFF, 1 - 5 = fan speed);
- a LED that shows when the fan is ON.
- two slider switches - one for the light and the other to reverse the fan (where applicable).
- Vortice ceiling fan controls are IMQ approved solely and exclusively for use with Vortice ceiling fans.



MULTIPLE SPEED CONTROLLER

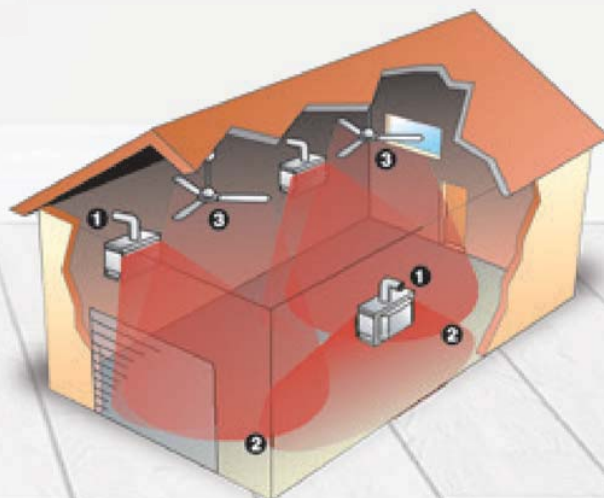
**VORT DELTA T (Code 13039)
MULTIPLE SPEED CONTROLLER UP TO 16 CEILING FANS**



The intelligent control system. Simply clever: Intelligent management ensures optimal, draughtfree operation Vort Delta T - the heart of the System.

- The new, intelligent control unit Vort Delta T is equipped with two semiconductor temperature sensors (included in the package), installed respectively at ceiling and floor level.
- Electrical power is with a normal two-phase cable, of up to 50 metres in length.
- The control unit registers the temperature at ceiling and floor level up to 60 times per minute, calculates the temperature differential and in accordance with this, regulates the operating speed of the fans. When the heat layer has been dissipated and the temperature differential has been reduced to an acceptable level, the Vort Delta T automatically switches the fans off.
- The minimal temperature differential, at which level the unit is activated, is adjustable, as are the lower and higher rotational fan speeds so as to avoid draughts. This also applies to permanent operation (e.g. during summer for cooling).
- This fully automatic control system governs the system optimally, without necessitating adjustment by the users. In this manner, unauthorised meddling with the system is impossible.

- 1 The commercial building has a warm air heating system.
- 2 With the aid of adjustable laminar blades, the warm air is directed downwards in the recreation or working area.
- 3 Due to the fact that warm air has a lower specific weight than cold air, the warm air rises to ceiling height and accumulates there. The sensor controls registers the increasing temperature difference between the floor and ceiling. The Nordik fans are controlled so that the warm air from the ceiling is conducted back into the recreating or working area without causing a draught. As soon as the temperature difference between the ground and ceiling areas is in equilibrium, the Vort Delta T system automatically switches the fans off.



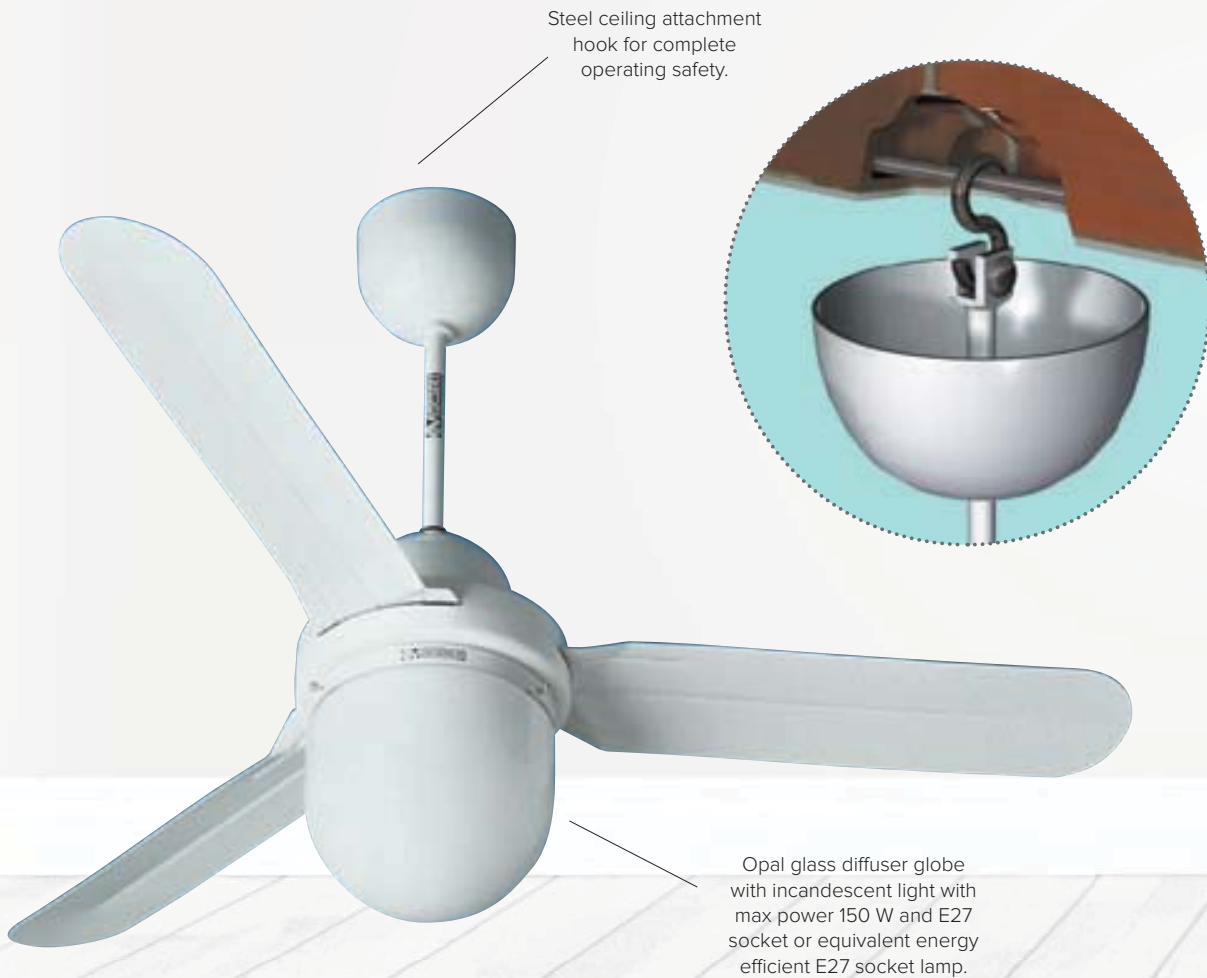


NORDIK® DESIGN 1S/1SL RANGE

Ceiling fans

Ideal for use in bedrooms, living rooms, shops, stores and other public places.

- Top and bottom motor covers moulded from heat-resistant and UV-resistant thermoplastic resin (ABS), colour white.
- Wiring connections at end of ceiling rod concealed by domes moulded from impact- and UV-resistant PP, colour white.
- Nominal diameter of blades 900, 1200, 1400 and 1600 mm.
- Single phase start capacitor motor with external rotor, and shaft turning in ball bearings.
- Maximum air flow: 14000 m³/h.
- 3 sheet steel blades powder coated with scratch-resistant polyester, colour white.
- Steel ceiling rod with polyester powder coated finish, colour white, length 375 mm.
- Bag of accessories containing nuts and bolts required for assembly of blades, ceiling hook and rubber anti-vibration washer.
- Speed selectable by way of control units or Telenordik 5T remote control (optional).
- Insulation class: Cl.I Ⓡ





Wide selection of different length support rods to blend perfectly into any room.

Metal parts coated with long-lasting pigments and clear, scratch resistant lacquer





NORDIK® DESIGN 1S/1SL RANGE

Ceiling fans

TECHNICAL DATA

MODELS	CODE	COLOR	V	HZ	W	A	RPM	NR. BLADE	MAX AIRFLOW m³/h	Kg
NORDIK DESIGN 1S 90/36"	61160	WHITE	220 - 240	50	70	0.32	235	3	8730	5.0
NORDIK DESIGN 1S/L 90/36"	61001	WHITE	220 - 240	50	175	0.725	235	3	8730	6.3
NORDIK DESIGN 1S 120/48"	61260	WHITE	220 - 240	50	70	0.33	205	3	11820	5.5
NORDIK DESIGN 1S/L 120/48"	61101	WHITE	220 - 240	50	175	0.725	205	3	11820	6.5
NORDIK DESIGN 1S 140/58"	61360	WHITE	220 - 240	50	70	0.33	215	3	13680	5.6
NORDIK DESIGN 1S/L 140/58"	61301	WHITE	220 - 240	50	175	0.725	215	3	13680	6.7
NORDIK DESIGN 1S 160/60"	61460	WHITE	220 - 240	50	70	0.34	215	3	14000	6.6
NORDIK DESIGN 1S/L 160/60"	61401	WHITE	220 - 240	50	175	0.725	215	3	14000	7.7

NORDIK® DESING 1S/1SL RANGE | TECHNICAL DATA FOR REGULATION N° 206/2012 UE

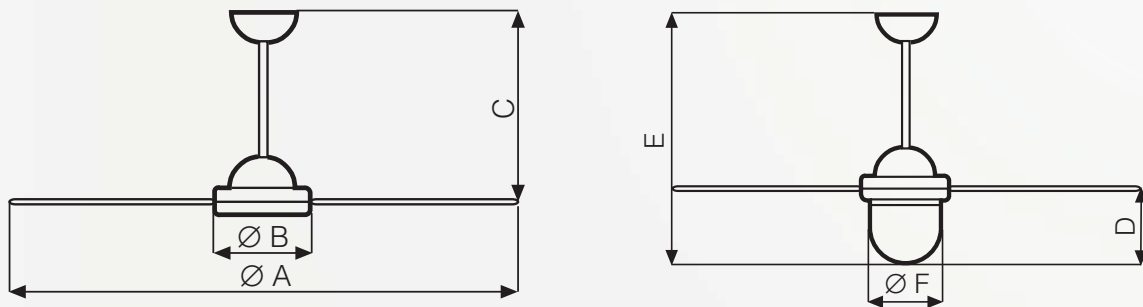
	SYMBOL	UNIT	NORDIK DECOR 1S/1SL 90/36"	NORDIK DECOR 1S/1SL 120/48"	NORDIK DECOR 1S/1SL 140/56"	NORDIK DECOR 1S/1SL 160/60"
CODE			61160 - 61001	61260 - 61101	61360 - 61301	61460 - 61401
Maximun fan air flow	F	m³/min	145.50	197.00	2248.00	233.33
Fanpower input	P	W	70	70	70	175
Service value	SV	(m³/min)W	2.079	2.841	3.257	1.061
Standby power consumption	PSB	kW	-	-	-	-
Fan sound power level	LWA	dB(A)	44.9	49.1	52.1	55.5
Maximum air velocity	C	m/sec	2.65	2.02	1.72	1.34

Measurement standard for service value

IEC 60879; EN62301; UNI EN ISO 3741

For more information refer to: Vortice Elettrosociali Spa, Strada Cerca, 2 - 20067 Zoate di Tribiano (MI) Italia

DIMENSIONS



MODELS	CODE	ØA	ØB	C	D	E	ØF
NORDIK DESIGN 1S 90/36"	61160	914	230	495	-	-	-
NORDIK DESIGN 1S/L 90/36"	61001	1218	230	495	-	-	-
NORDIK DESIGN 1S 120/48"	61260	1422	230	495	-	-	-
NORDIK DESIGN 1S/L 120/48"	61101	1524	230	495	-	-	-
NORDIK DESIGN 1S 140/58"	61360	914	230	495	190	685	208
NORDIK DESIGN 1S/L 140/58"	61301	1218	230	495	190	685	208
NORDIK DESIGN 1S 160/60"	61460	1422	230	495	190	685	208
NORDIK DESIGN 1S/L 160/60"	61401	1524	230	495	190	685	208

Dimensions (mm)





NORDIK® DESIGN 1S/1SL RANGE

Ceiling fans

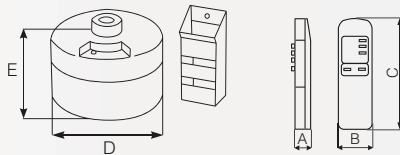
ACCESSORIES

TELENORDIK 5T (code 22387)



- Suitable for fans with or without light.
- 5 selectable speeds, as well as fan and light on/off switch.
- "Timer" button to set fan turn-on and turn-off times (approx. 1 hour interval).
- Uses infrared transmission to eliminate possible interference with radios or other electrical units.
- Set consists of a receiver, which is fitted to the fan ceiling rod, a transmitter, which sends the desired commands to the fan and a transmitter carrying case which can be fixed to the wall.
- Provided with LED indicators showing operation and "stand-by" status (power on).
- Remote-control range: approximately 13 meters line of sight.
- Fan and remote-control unit are both IMQ approved.
- Easy to install as connections between the fan and fixed speed regulator are not necessary.
- Transmitter can control any TeleNordik receiver.

Remote control	-	infra red
Receiver Volt at 50 Hz	Hz	220-240
Stand by	W	0.463
Maximum load Watt	W	100
Transmitter battery	-	2 x AAA 1.5 V
Receiver	Kg	0.76
Transmitter	Kg	0.06
Insulation	-	Cl. II



Models	A	B	C	D	E
5T	22	42	150	140	90

Dimensions (mm)

SCNR5 (code 12955)



- 5 position speed controller for ceiling-mounted fans without light.
- Convertible to flush-mounted using SCB5 Kit.
- 220-240V ~ 50 Hz.
- Maximum load: 100W.
- Weight: 0.58 Kg.w
- Double insulation.

SCNRL5 (code 12957)



- 5 position speed controller for ceiling-mounted fans with light.
- Convertible to flush-mounted using SCB5 Kit.
- 220-240V ~ 50 Hz.
- Maximum load: 250W.
- Weight: 0.58 Kg.
- Double insulation.

SCNR/M (code 12982)



- Electronic speed controller for use with up to 6 ceiling-mounted fans.
- Convertible to flush-mounted.
- 220-240V ~ 50 Hz.
- Maximum load: 450W (2.5 A).
- Weight: 0.2 Kg.
- Double insulation.

C 2.5 (code 12967)



- Electronic speed controller for use with up to 6 ceiling-mounted fans.
- Convertible to flush-mounted using SCB5 Kit.
- 220-240V ~ 50 Hz.
- Maximum load: 450W (2.5 A).
- Weight: 0.2 Kg.
- Double insulation.

KIT SCB (code 22481)



- Kit to convert C 2.5 electronic speed controller from surface to flush mounted.

KIT SCB5 (code 22483)



- Kit to convert SCNR5 and SCNRL5 5 position controllers from surface to flush mounted.

CEILING RODS

Various lengths to enable installation at desired height.



WHITE

- Asta NK 200 mm (code 22030)
- Asta NK 275 mm (code 22034)
- Asta NK 350 mm (code 22040)
- Asta NK 500 mm (code 22052)
- Asta NK 750 mm (code 22072)
- Asta NK 1000 mm (code 22075)

FLUSH OR WALL MOUNTED CONTROLS

SC 503 B (cod. 12801)



SC 503 N (cod. 12802)



SC EXT B (cod. 12803)



Thanks to their simple innovative design, these units more than meet the aesthetics expected of them for both domestic and commercial applications. Backing plate, knob, sliders and adapters made from polycarbonate; face plate and controller for wall mounting made from UV-resistant ABS. On the white and anthracite grey flush mounted versions, the knob and face plate are in matching colours. Both the flush and wall mounted version come with:

- knob with settings from 0 to 5 for various speeds (0 = OFF, 1- 5 = fan speed);
- a LED that shows when the fan is ON.
- two slider switches - one for the light and the other to reverse the fan (where applicable).
- Vortice ceiling fan controls are IMQ approved solely and exclusively for use with Vortice ceiling fans.

AVAILABLE OPTIONAL ANCILLARIES



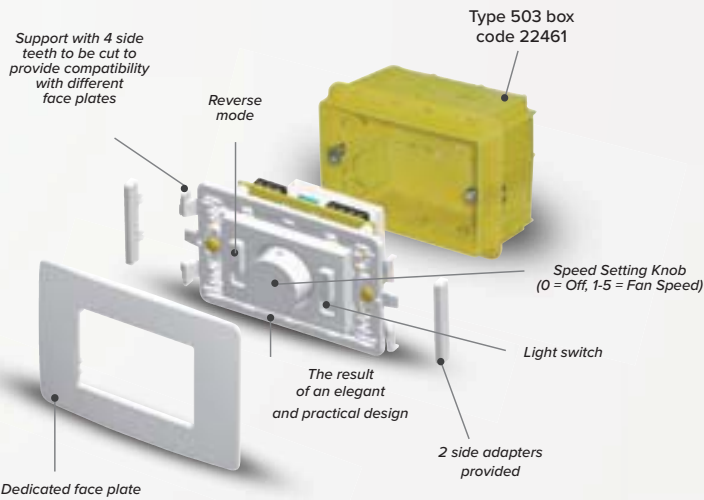
Anthracite grey face plate
code 22463



White face plate
code 22462



Recessed versions, thanks to an intermediate adjustable support, can be coupled with various existing standard face plates, satisfying diverse aesthetic requirements.



Power supply voltage (V): 220 - 240
Power supply frequency (Hz): 50
Max power consumption (W): 18



NORDIK® INTERNATIONAL PLUS RANGE

Ceiling fans

Ideal for use in bedrooms, living rooms, shops, stores and other public places.

- Nominal diameter of blades 900, 1200, 1400 and 1600 mm.
- Top and bottom motor covers moulded from heat-resistant and UV-resistant thermoplastic resin (ABS), colour white.
- Wiring connections at end of ceiling rod concealed by domes moulded from impact- and UV-resistant PP, colour white.
- Single phase start capacitor motor with external rotor, and shaft turning in ball bearings. Direction of rotation reversible.
- Maximum air flow: 14000 m³/h.
- 3 sheet steel blades powder coated with scratch-resistant polyester, colour white.
- Steel ceiling rod with polyester powder coated finish, colour white, length 375 mm.
- Bag of accessories containing nuts and bolts required for assembly of blades, ceiling hook and rubber anti-vibration washer.
- Factory-prepared to accept Light Kit (optional), suitable for lamp rated 150W. max with E27 screw fitting, or equivalent energy-saving lamp with E27 screw fitting.
- Speed selectable by way of control units (optional).
- Insulation class: Cl.I ⚡





Steel ceiling attachment
hook for complete
operating safety

Wide selection of different
length support rods to blend
perfectly into any room.

Metal parts coated
with long-lasting pigments
and clear, scratch
resistant lacquer





NORDIK® INTERNATIONAL PLUS RANGE

Ceiling fans

TECHNICAL DATA

MODELS	CODE	COLOR	V	HZ	W	A	RPM	NR. BLADE	MAX AIRFLOW m ³ /h	Kg
NORDIK INTERNATIONAL PLUS 90/36"	61701	WHITE	220 - 240	50	70	0.32	231	3	8550	5.5
NORDIK INTERNATIONAL PLUS 120/48"	61711	WHITE	220 - 240	50	70	0.32	234	3	9900	5.9
NORDIK INTERNATIONAL PLUS 140/56"	61721	WHITE	220 - 240	50	70	0.32	231	3	13500	6.2
NORDIK INTERNATIONAL PLUS 160/60"	61731	WHITE	220 - 240	50	70	0.32	201	3	14000	6.7

NORDIK® INTERNATIONAL PLUS RANGE | TECHNICAL DATA FOR REGULATION N° 206/2012 UE

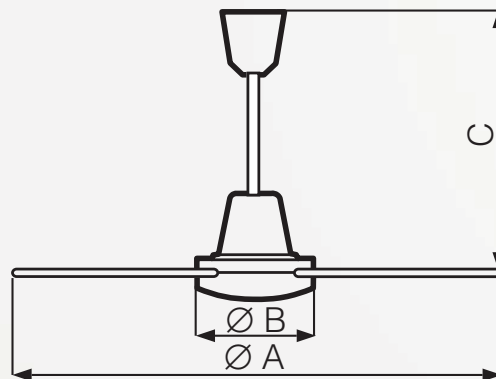
	SYMBOL	UNIT	PLUS 90/36"	PLUS 120/48"	PLUS 140/56"	PLUS 160/60"
	CODE		61701	61711	61721	61731
Maximum fan air flow	F	m ³ /min	142.50	165.00	225.00	233.33
Fanpower input	P	W	70	70	70	70
Service value	SV	(m ³ /min)W	2.036	2.357	3.214	3.333
Standby power consumption	PSB	kW	-	-	-	-
Fan sound power level	LWA	dB(A)	46.1	49.1	52.6	55.6
Maximum air velocity	C	m/sec	2.59	1.68	1.69	2.28

Measurement standard for service value

IEC 60879; EN62301: UNI EN ISO 3741

For more information refer to: Vortice Elettrosociali Spa, Strada Cerca, 2 - 20067 Zoate di Tribiano (MI) Italia

DIMENSIONS



MODELS	CODE	ØA	ØB	C
NORDIK INTERNATIONAL PLUS 90/36"	61701	914	230	495
NORDIK INTERNATIONAL PLUS 120/48"	61711	1218	230	495
NORDIK INTERNATIONAL PLUS 140/56"	61721	1422	230	495
NORDIK INTERNATIONAL PLUS 160/60"	61731	1524	230	495

Dimensions (mm)





NORDIK® INTERNATIONAL PLUS RANGE

Ceiling fans

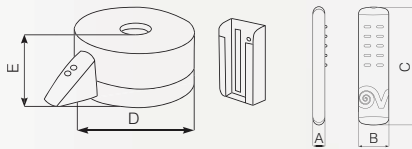
ACCESSORIES

TELENORDIK 5TR (code 22386)



- New infrared remote control 5 speeds-timer-reverse
- The receiver is hidden inside the fan casing, with only the tip in which the sensor is located protruding.
- It uses infrared transmission to eliminate possible interference with radios or other electrical units.
- Set consists of a receiver, which is fitted to the fan ceiling rod, a transmitter, which sends the desired commands to the fan and a transmitter carrying case which can be fixed to the wall.
- Provided with LED indicators showing operation and "stand-by" status (power on).
- Remote-control range: approximately 13 meters line of sight.
- Fan and remote-control unit are both IMQ approved.
- Easy to install as connections between the fan and fixed speed regulator are not necessary.
- Transmitter can control any TeleNordik receiver.

Remote control	-	infrared
Receiver Volt at 50 Hz	Hz	220-240
Stand by	W	0.558
Maximum load Watt	W	100
Transmitter battery	-	2 x AAA 1.5 V
Receiver	Kg	0.76
Transmitter	Kg	0.06
Insulation	-	Cl. II



Models	A	B	C	D	E
5TR	20	43	155	154	62

Dimensions (mm)

CEILING RODS

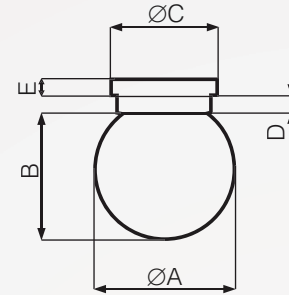
Various lengths to enable installation at desired height.



WHITE

- Asta NK I 200 mm (code 22632)
- Asta NK I 250 mm (code 22633)
- Asta NK I 350 mm (code 22642)
- Asta NK I 500 mm (code 22651)
- Asta NK I 750 mm (code 22674)
- Asta NK I 1000 mm (code 22677)

PLUS LIGHT KIT (code 22415)



- Kit for all the Nordik International Plus models.
- Lamp: max 150 W with E27 fitting.

Models	ØA	B	ØC	D	E	Kg
Decor Light Kit	200	180	130	35	20	1.8

SCNR5 (code 12955)



- 5 position speed controller for ceiling-mounted fans without light.
- Convertible to flush-mounted using SCB5 Kit.
- 220-240V ~ 50 Hz.
- Maximum load: 100W.
- Weight: 0.58 Kg.w
- Double insulation.

SCNRL5 (code 12957)



- 5 position speed controller for ceiling-mounted fans with light.
- Convertible to flush-mounted using SCB5 Kit.
- 220-240V ~ 50 Hz.
- Maximum load: 250W.
- Weight: 0.58 Kg.
- Double insulation.

SCNR/M (code 12982)



- Electronic speed controller for use with up to 6 ceiling-mounted fans.
- Convertible to flush-mounted.
- 220-240V ~ 50 Hz.
- Maximum load: 450W (2.5 A).
- Weight: 0.2 Kg.
- Double insulation.

C 2.5 (code 12967)



- Electronic speed controller for use with up to 6 ceiling-mounted fans.
- Convertible to flush-mounted using SCB5 Kit.
- 220-240V ~ 50 Hz.
- Maximum load: 450W (2.5 A).
- Weight: 0.2 Kg.
- Double insulation.

KIT SCB5 (code 22483)



- Kit to convert SCNR5 and SCNRL5 5 position controllers from surface to flush mounted.

KIT SCB (code 22481)



- Kit to convert C 2.5 electronic speed controller from surface to flush mounted.

FLUSH OR WALL MOUNTED CONTROLS

SC 503 B (cod. 12801)



SC 503 N (cod. 12802)



SC EXT B (cod. 12803)



Thanks to their simple innovative design, these units more than meet the aesthetics expected of them for both domestic and commercial applications. Backing plate, knob, sliders and adapters made from polycarbonate; face plate and controller for wall mounting made from UV-resistant ABS. On the white and anthracite grey flush mounted versions, the knob and face plate are in matching colours. Both the flush and wall mounted version come with:

- knob with settings from 0 to 5 for various speeds (0 = OFF, 1- 5 = fan speed);
- a LED that shows when the fan is ON.
- two slider switches - one for the light and the other to reverse the fan (where applicable).
- Vortice ceiling fan controls are IMQ approved solely and exclusively for use with Vortice ceiling fans.

AVAILABLE OPTIONAL ANCILLARIES



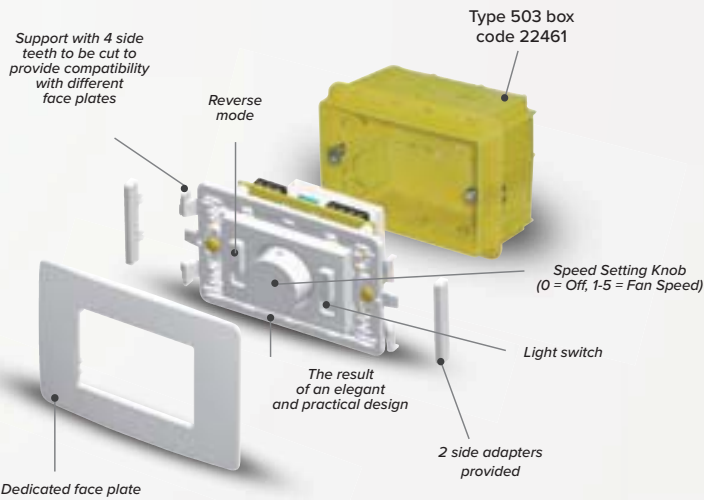
Anthracite grey face plate
code 22463



White face plate
code 22462



Recessed versions, thanks to an intermediate adjustable support, can be coupled with various existing standard face plates, satisfying diverse aesthetic requirements.



Power supply voltage (V): 220 - 240
Power supply frequency (Hz): 50
Max power consumption (W): 18



Thermal destratification

Well-being and energy saving even in large industrial and retail interiors thanks to ceiling fans

Suitable comfort conditions and air quality are fundamental for work environments. However, inside very large industrial and retail premises it is difficult to guarantee optimal heating during working hours. Energy costs are high and results are unsatisfactory.

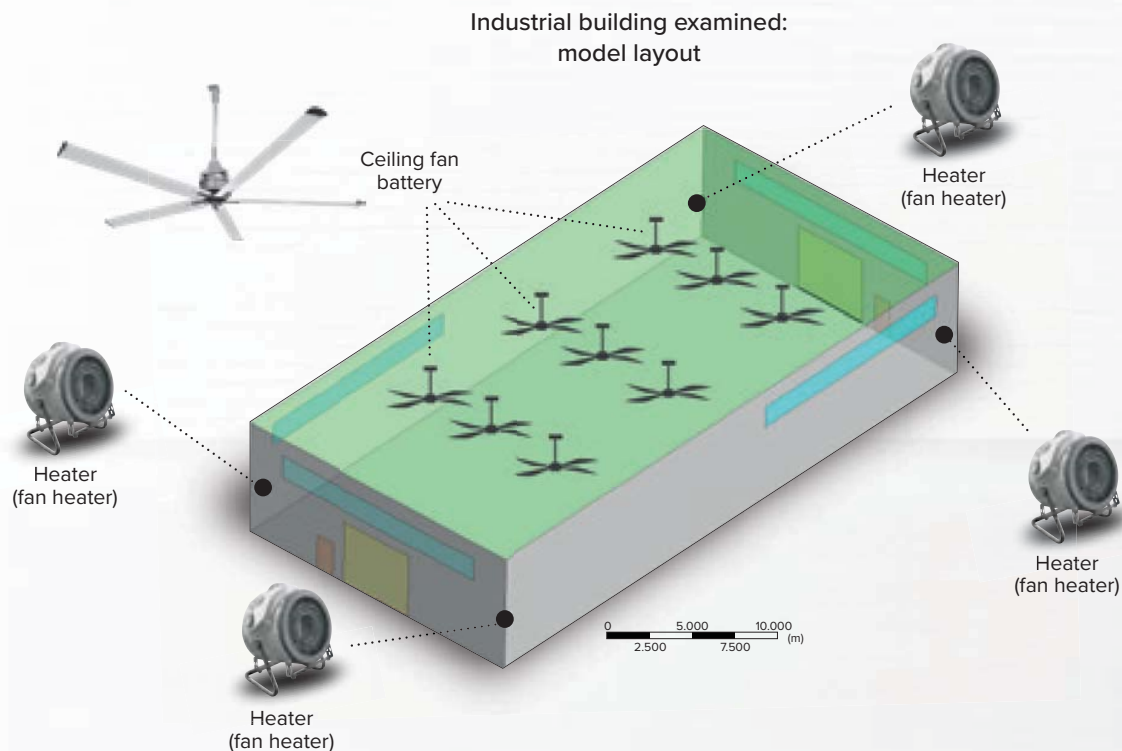
Heat generated by heating systems (radiators, warm air generators, etc.) travels upwards due to convective motion, stratifying at ceiling level, resulting in cooler areas lower down. Often on large premises such as industrial warehouses, shopping centres, museums or places of worship, in order to maintain 20°C at "operating height", the temperature in the ceiling area must exceed 30-35°C. Such conditions result in reduced well-being for those present, coupled with a huge rise in costs for maintaining ideal temperature.

Heat destratification is the solution to this problem, with the use of ceiling fans. Suitably positioned, these create the correct mixing of warm and cool air, even at low speed, resulting in uniform

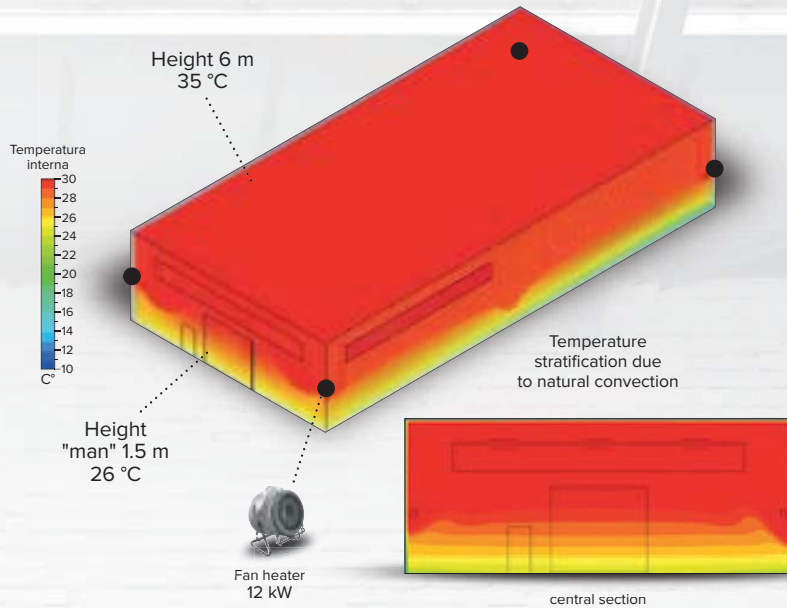
temperature. With all the advantages in terms of comfort and the effective reduction of energy consumption. Specific studies show that the application of heat destratification systems in particular retail and industrial environments generates savings which offset expenses incurred for purchasing and installing the system, in just 4 years.

Even more so considering that fan ceilings are also used in the summer to eliminate stagnation and humidity and enable optimal air circulation.

Vortice has the know-how, experience and ideal product range for installing heat destratification systems on large premises. Our specialised technicians are available to assist customers in the design and construction of tailored solutions, also with the use of thermo-fluid dynamic simulation. Illustrations on these pages have been taken from a simulation carried out by the Vortice R&D department as part of a study commissioned by a client and successive experimental confirmation.



No. 4 fan heaters
12 kW (total 48 kW)
(free convection, ceiling fans = off)



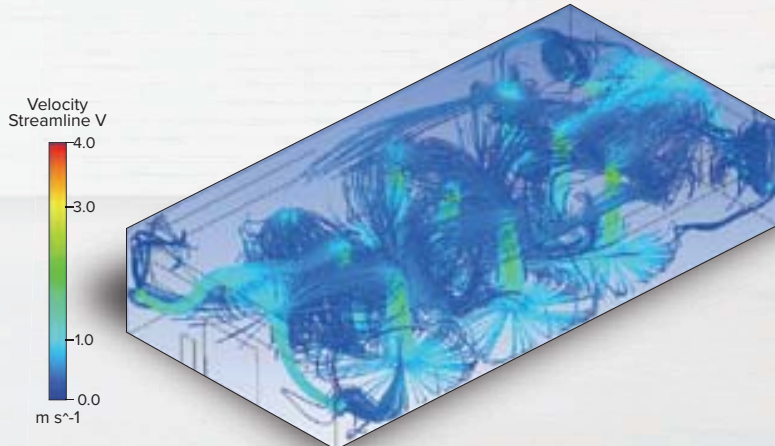
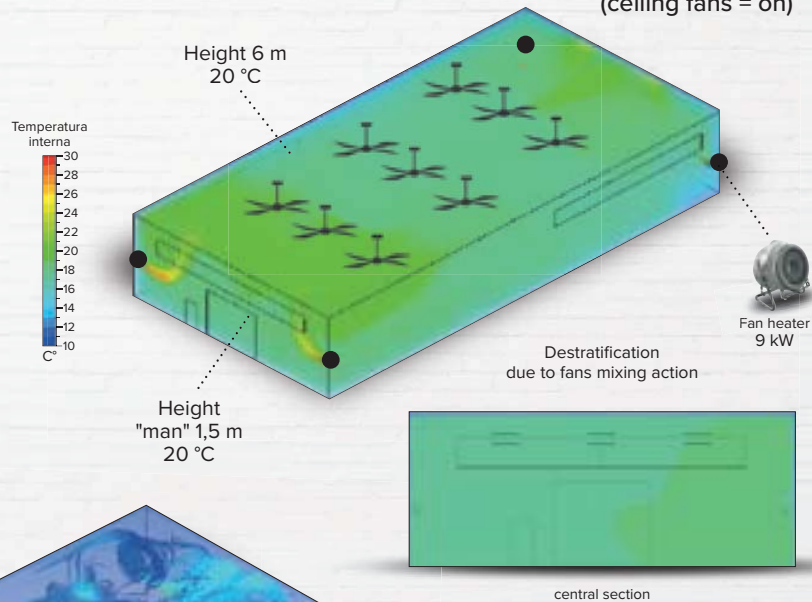
Industrial building
Under "standard" air conditioning"
(heating only): distribution of inside temperature

Simple heating with 4 fan heaters, with a total power of 48 kW, makes it possible to reach a minimum temperature of 20 °C inside the building, but characterised by uncomfortable and insufficient heat stratification.

N. 4 termoventilatore
da 9 kW (totale 36 kW)
(ceiling fans = on)

De-stratified air conditioning:
distribution of internal temperature

The operation of fans at low speed creates a homogeneously heated and comfortable environment, achieving a desired temperature of 20°C with reduced energy consumption levels.



Air speed lines
during operation of fans

Low speed operation of fan battery enables the effective mixing of warm and cold air, without any noticeable effect on building occupants.



NORDIK® HVLS SUPER BLADE RANGE

NEW

Industrial ceiling fans

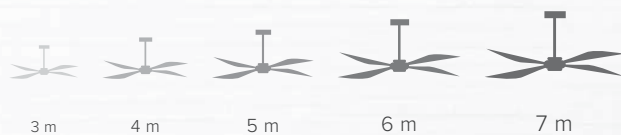
A new range of HVLS (High Volume Low Speed) ceiling fans, equipped with EC motors, granting very high performance, low consumption and low noise emissions. Ideal for cooling and temperature balance for large areas.

Nordik HVLS Super Blade at their most effective grant highly effective operation even when installed in tall ambients. Width of the ventilated area corresponds to approximately 3 times the nominal diameter of the fan. Especially suitable for installation in the following areas: industrial sheds, large warehouses, cattle sheds/stables, airports, mosques and where there is a need to move large volumes of air. Wide range of operating temperatures (-10°/+50° C) allows proper operation in many alternative applications.



AERODYNAMIC BLADES:
Made of extruded aluminium aerodynamically optimized (airfoil section) and fashioned with winglets designed to reduce the drag.

LARGE diameters for large spaces, nominals 5 Ø:

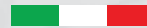


VORT T CONTROL UNIT:
Provides automatic control of up to 10 fans, according to temperature and wind strength.



INSTALLATION:
Bracket and rod supplied
with the product.

Design and production
Made in Italy



CONTROLS:
Fully adjustable (0-10V signal)
motor through potentiometer
or VORT-T control unit. RS
485 port integrated in the
motor driver for remote
control through BMS System
(RTU Modbus protocol).

PERFORMANCES:
Ultra high airflows (650000 m³/h)
at very low speed to grant quiet
operations.

EC MOTORS:
Three phase (EC brushless
motors), integrated overheating
protection; very high protection
(IP65) against dust and water.





NORDIK® HVLS SUPER BLADE RANGE

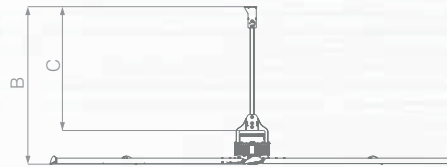
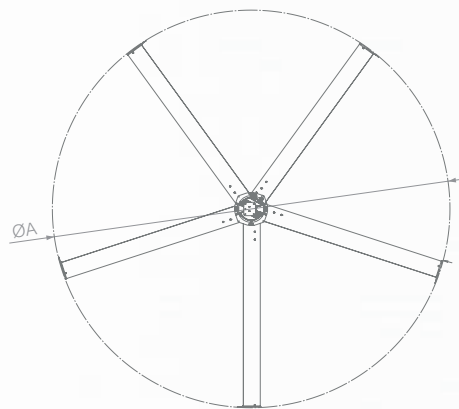
NEW

Industrial ceiling fans

TECHNICAL DATA

MODELS	CODE	V~50/60HZ	Phase	W MAX	A MAX	RPM	Ø m	NR. BLADE	MAX AIRFLOW m³/h	Kg
NORDIK HVLS SUPER BLADE 300/120"	61080	200/480	1/3	600	1.43	160	3	5	310000	80.5
NORDIK HVLS SUPER BLADE 300/120" L	61090	200/480	1/3	600	1.43	160	3	5	310000	89
NORDIK HVLS SUPER BLADE 400/160"	61081	200/480	1/3	650	1.67	100	4	5	370000	88
NORDIK HVLS SUPER BLADE 400/160" L	61091	200/480	1/3	650	1.67	100	4	5	370000	96.5
NORDIK HVLS SUPER BLADE 500/200"	61082	200/480	1/3	850	1.97	80	5	5	530000	104
NORDIK HVLS SUPER BLADE 500/200" L	61092	200/480	1/3	850	1.97	80	5	5	530000	112.5
NORDIK HVLS SUPER BLADE 600/240"	61083	200/480	1/3	850	2.02	55	6	5	600000	111.5
NORDIK HVLS SUPER BLADE 600/240" L	61093	200/480	1/3	850	2.02	55	6	5	600000	120
NORDIK HVLS SUPER BLADE 700/280"	61084	200/480	1/3	900	2.12	38	7	5	650000	131.5
NORDIK HVLS SUPER BLADE 700/280" L	61094	200/480	1/3	900	2.12	38	7	5	650000	140

DIMENSIONS



MODELS	CODE	ØA	B	C
NORDIK HVLS SUPER BLADE 300/120"	61080	3000	1880	1470
NORDIK HVLS SUPER BLADE 300/120" L	61090	3000	3310	3000
NORDIK HVLS SUPER BLADE 400/160"	61081	4000	1880	1470
NORDIK HVLS SUPER BLADE 400/160" L	61091	4000	3310	3000
NORDIK HVLS SUPER BLADE 500/200"	61082	5000	1880	1470
NORDIK HVLS SUPER BLADE 500/200" L	61092	5000	3310	3000
NORDIK HVLS SUPER BLADE 600/240"	61083	6000	1880	1470
NORDIK HVLS SUPER BLADE 600/240" L	61093	6000	3310	3000
NORDIK HVLS SUPER BLADE 700/280"	61084	7000	1880	1470
NORDIK HVLS SUPER BLADE 700/280" L	61094	7000	3310	3000

Dimensions (mm)

ACCESSORIES

VORT T (code 21137)



Control unit with LCD display, able to handle up to 10 units (control units supplied as optional).

USB-C (code 21198)

Modbus USB converter for VORT T control unit, useful for the remote control and monitoring of the fan/fans through a personal computer

POT-I (code 12832)



0 - 10V potentiometer

WP (code 21197)

Additional external anemometer for VORT T control unit, useful for the automatic control of the fan/fans in case of gusts of wind

POT (code 12828)



0 - 10V potentiometer

NHVS - RD (code 21136)

Suspension tie-rods kit

Optional kit consisting of four of rods, designed to assure robust and safe installation.

This kit is mandatory in case of:

- Strong wind;
- Risk of accidental collisions with machines or objects in motion near the ceiling fan;
- Presence of birds;
- Seismic zone installation or areas characterized by vibrations (ex. Industrial processes involving the use of hammers or industrial presses).

APPLICATIONS

Why install a NORDIK HVLS SUPER BLADE

When turning, a ceiling fan generates a column of air moving downwards and towards the outside along the floor. The extent of this column grows with the diameter of the fan and, by a lesser degree, with its rotation speed.

With equal rotation speed, a ceiling fan with larger diameter is able to move a larger mass of air; at the same time, a column of air moving at a faster speed disperses quicker. Also, the distance of propagation of the column of air produced by the fan increases with the diameter of the latter due to the effect of the action on it, proportionally more limited, exerted by the friction of the surrounding still air. This being understood, the use of ceiling fans of the NORDIK HVLS SUPER BLADE series, which boast a high (IP65) degree of resistance to water and dust, offer an extended range of continuous operating temperatures (-10° C / + 50° C) and guarantee a wide range of speed control. It is particularly appropriate in industrial contexts, such as warehouses, sheds, stables, etc. ..., where the use of air conditioning systems would be impractical or however too expensive, as well as in commercial areas, such as supermarkets, gyms, airports, etc. ..., where their action allows significant savings due to the amplification of the effects of any air conditioning systems present and the destratification of the air. In particular, the installation of a NORDIK HVLS SUPER BLADE allows significant advantages both in the hot and cold seasons.



Summer use

As known, high temperatures and high levels of relative humidity limit environmental comfort, in some cases even compromising the productivity of the occupants. In normal conditions, the human body feels the need to release heat starting from environment temperatures above approx. 23°C. With respect to air conditioners, which reduce environment temperature, by accelerating the speed of the air that envelops the occupants, at equal temperature, the fans promote cooling by accentuating the transfer of heat by convection and due to evaporation of sweat.

Winter use

The hot air, which is less dense than cold air, concentrates in proximity of the ceiling giving rise to the phenomenon known as "stratification". The use of fans able to push the hot air downwards leads to remixing ("de-stratification"), useful for overcoming the problem, guaranteeing significant savings in terms of less energy dissipation through walls and the roof and reduced caloric intake necessary to maintain adequate temperature levels at the level of the occupants.



NORDIK® HVLS SUPER BLADE RANGE

NEW

Industrial ceiling fans

APPLICATIONS





APPLICATIONS





NORDIK® HEAVY DUTY RANGE

Reversible ceiling fans for commercial and industrial application

Reversible ceiling-mounted fans with 3 blades, specifically designed for continuous use, even at maximum speed, in the presence of high relative humidity, high temperatures (up to 50°C environment), concentrations of dusts and corrosive vapours, heavy duty conditions typical of contexts such as process industries, livestock farms, greenhouses, etc.

- 8 models: available in 4 sizes with 120, 140, 160 and 200 cm blades; versions with powder painted finishing and stainless steel.
- The BASE models are characterised by electro-galvanised steel sheet blades, treated with epoxy primer and successive grey epoxy paint and hammered finish. Electro-galvanised steel sheet caps, treated with epoxy primer and successive black epoxy paint and hammered finish.
- The STAINLESS STEEL models are distinguished by their blades, rods and caps in AISI 304 stainless steel with scotch brite finish. The die-cast aluminium motor covers are painted with black epoxy paint and embossed finish.
- External rotor type self-protected motors, operating clockwise and anti-clockwise, specifically designed to guarantee prolonged continuous service at maximum plate temperature in heavy duty conditions, thanks to:
 - impregnated stator windings, guaranteeing the most effective electric isolation;
 - rotors with magnetic laminations with high fused silica content in very pure aluminium fill (99.9%), inserted into a shell made in structural aluminium;
 - casings consisting of two die-cast aluminium alloy covers, painted with black epoxy powder, embossed finish, to guarantee high resistance to corrosion over time; circular, synthetic rubber gaskets (EPDM), positioned between the two shells, ensure high water and dust resistance, an essential requirement for prolonged use also in highly critical environments;
 - pair of ball bearings housed in the upper cover to prevent the risks of misalignment; a possible cause of malfunctioning over time.
- Connection terminal board to the mains, housed in the relevant box protected from dust and water.
- Support devices with 4 holes for firm and long-lasting anchorage, compatible with product mounting also in correspondence with steep sloping ceilings.
- Safety cable, compliant with the most recent international regulation regarding safety of ceiling fans, to prevent risks of fallin if the product is not installed correctly.
- Shock absorber, made up from a rubber elastic element overmoulded to an internal steel rope, designed to resist repeated start/stop cycles of the product, also at maximum speed (the life tests run allow duration of a period of 50 years of uninterrupted operation to be guaranteed).
- Bag of accessories containing the hardware necessary to mount the blades, the hook and the vibration damper rubber for ceiling mounting.
- Protection rating from dusts and water: IP55.
- Insulation class: Cl.I Ⓢ.
- Compliant with the requirements of European Regulation n° 206/2012 and Machine Directive (MD) 2006/42/EC.



The hanger consists of a special plate with 4 holes for tight and durable fastening, which can also be used to suspend the appliance from sloping ceilings.

High operating temperature (up to 50 °C at maximum speed) facilitating use even in particularly severe environmental conditions, typical of some industrial processes.

Die-cast epoxy painted, motor covers, sealed with a EPDM gasket to prevent dust or water entry.

Capability to operate as heat recovery units, especially when coupled with Vort Delta T Vortice's speed controller (available as optional ancillary), allowing automatic speed adjustment of up to 16 ceiling fans according to different temperatures between floor and ceiling.

High corrosion resistance allowing use in environments with high concentrations of corrosive agents (process industries, agricultural farms, greenhouses...)





NORDIK® HEAVY DUTY RANGE

Reversible ceiling fans for commercial and industrial application

TECHNICAL DATA

MODELS	CODE	COLOR	V	HZ	W	A	RPM	NR. BLADE	MAX AIRFLOW m³/h	Kg
NORDIK HEAVY DUTY 120	61020	POWDER PAINTED FINISHING	230	50	80	0.35	233	3	14050	7.7
NORDIK HEAVY DUTY 140	61021		230	50			236	3	16000	8.1
NORDIK HEAVY DUTY 160	61022		230	50	85	0.37	210	3	19300	8.6
NORDIK HEAVY DUTY 200	61023		230	50			186	3	22050	9.5
NORDIK HEAVY DUTY 120 INOX	61024	STAINLESS STEEL	230	50	80	0.35	233	3	14050	7.3
NORDIK HEAVY DUTY 140 INOX	61025		230	50			236	3	16000	7.7
NORDIK HEAVY DUTY 160 INOX	61026		230	50	85	0.37	210	3	19300	8.2
NORDIK HEAVY DUTY 200 INOX	61027		230	50			186	3	22050	9.1

NORDIK® EVOLUTION GOLD RANGE | TECHNICAL DATA FOR REGULATION N° 206/2012 UE

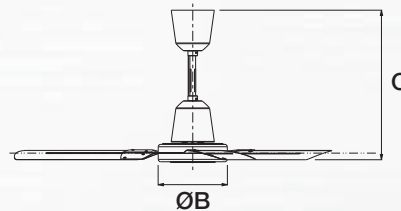
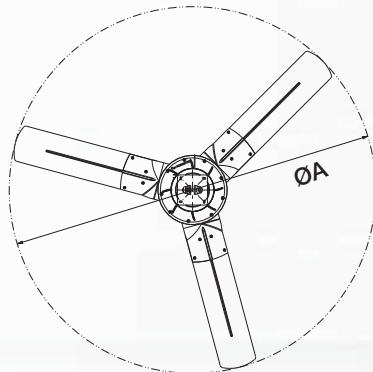
	SYMBOL	UNIT	HD 120	HD 140	HD 160	HD 200	HD 120 INOX	HD 140 INOX	HD 160 INOX	HD 200 INOX
CODE			61020	61021	61022	61023	61024	61025	61026	61027
Maximum fan air flow	F	m³/min	234.00	266.60	321.60	367.50	234.00	266.60	321.60	367.50
Fanpower input	P	W	80	80	85	85	80	80	85	85
Service value	SV	(m³/min)W	2.925	3.332	3.780	4.320	2.925	3.332	3.780	4.320
Standby power consumption	PSB	kW	-	-	-	-	-	-	-	-
Fan sound power level	LWA	dB(A)	51.8	55.4	55.6	56.4	51.8	55.4	55.6	56.4
Maximum air velocity	C	m/sec	1.54	1.35	1.20	1.46	1.54	1.35	1.20	1.46

Measurement standard for service value

IEC 60879; EN62301: UNI EN ISO 3741

For more information refer to: Vortice Elettrosociali Spa, Strada Cerca, 2 - 20067 Zoate di Tribiano (MI) Italia

DIMENSIONS



MODELS	CODE	ØA	B	C
NORDIK HEAVY DUTY 120	61020 - 61024	1218	230	495
NORDIK HEAVY DUTY 140	61021 - 61025	1422	230	495
NORDIK HEAVY DUTY 160	61022 - 61026	1524	230	495
NORDIK HEAVY DUTY 200	61023 - 61027	2000	230	495

Dimensions (mm)





NORDIK® HEAVY DUTY RANGE

Reversible ceiling fans for commercial and industrial application

ACCESSORIES

CEILING RODS

Various lengths to enable installation at desired height.



POWDER PAINTED FINISHING

Rod 290 mm (code 22717)
Rod 665 mm (code 22718)
Rod 915 mm (code 22719)



STAINLESS STEEL

Rod 290 mm (code 22721)
Rod 665 mm (code 22722)
Rod 915 mm (code 22723)

KIT SPARE BLADE



POWDER PAINTED FINISHING

Kit blade 1200 mm (code 22724)
Kit blade 1400 mm (code 22725)
Kit blade 1600 mm (code 22726)
Kit blade 2000 mm (code 22727)



STAINLESS STEEL

Kit blade 1200 mm (code 22728)
Kit blade 1400 mm (code 22729)
Kit blade 1600 mm (code 22730)
Kit blade 2000 mm (code 22731)

SCRR5 (code 12963)



- 5-position reversible speed controller for ceiling-mounted fans without light.
- Convertible to flush-mounted using SCBRR5/5L/M.
- 220-240V ~ 50 Hz.
- Maximum load: 100W.
- Weight: 0.58 Kg.
- Double insulation.

SCNR5 (code 12955)



- 5 position speed controller for ceiling-mounted fans without light.
- Convertible to flush-mounted using SCB5 Kit.
- 220-240V ~ 50 Hz.
- Maximum load: 100W.
- Weight: 0.58 Kg.w
- Double insulation.

MULTIPLE SPEED CONTROLLER

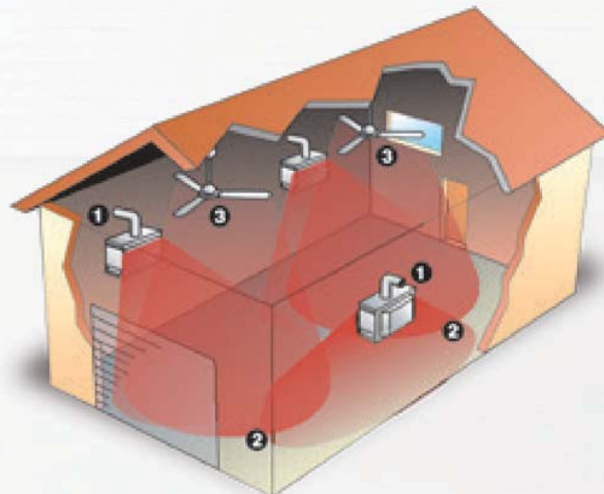


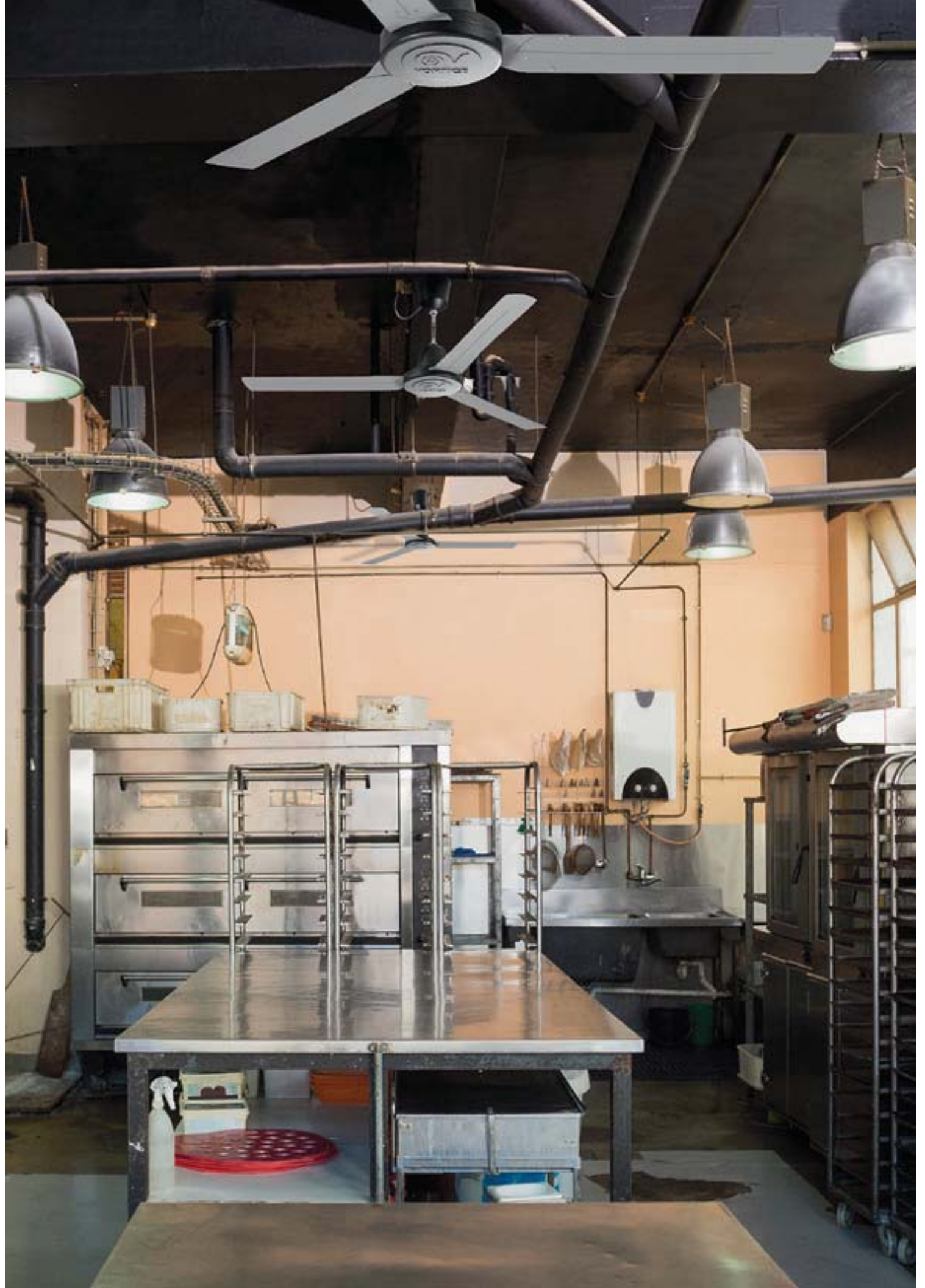
VORT DELTA T (Code 13039) MULTIPLE SPEED CONTROLLER UP TO 16 CEILING FANS

The intelligent control system. Simply clever: Intelligent management ensures optimal, draughtfree operation Vort Delta T - the heart of the System.

- The new, intelligent control unit Vort Delta T is equipped with two semiconductor temperature sensors (included in the package), installed respectively at ceiling and floor level.
- Electrical power is with a normal two-phase cable, of up to 50 metres in length.
- The control unit registers the temperature at ceiling and floor level up to 60 times per minute, calculates the temperature differential and in accordance with this, regulates the operating speed of the fans. When the heat layer has been dissipated and the temperature differential has been reduced to an acceptable level, the Vort Delta T automatically switches the fans off.
- The minimal temperature differential, at which level the unit is activated, is adjustable, as are the lower and higher rotational fan speeds so as to avoid draughts. This also applies to permanent operation (e.g. during summer for cooling).
- This fully automatic control system governs the system optimally, without necessitating adjustment by the users. In this manner, unauthorised meddling with the system is impossible.

- 1 The commercial building has a warm air heating system.
- 2 With the aid of adjustable laminar blades, the warm air is directed downwards in the recreation or working area.
- 3 Due to the fact that warm air has a lower specific weight than cold air, the warm air rises to ceiling height and accumulates there. The sensor controls registers the increasing temperature difference between the floor and ceiling. The Nordik fans are controlled so that the warm air from the ceiling is conducted back into the recreating or working area without causing a draught. As soon as the temperature difference between the ground and ceiling areas is in equilibrium, the Vort Delta T system automatically switches the fans off.







NORDIK® INTERNATIONAL PLUS-R RANGE

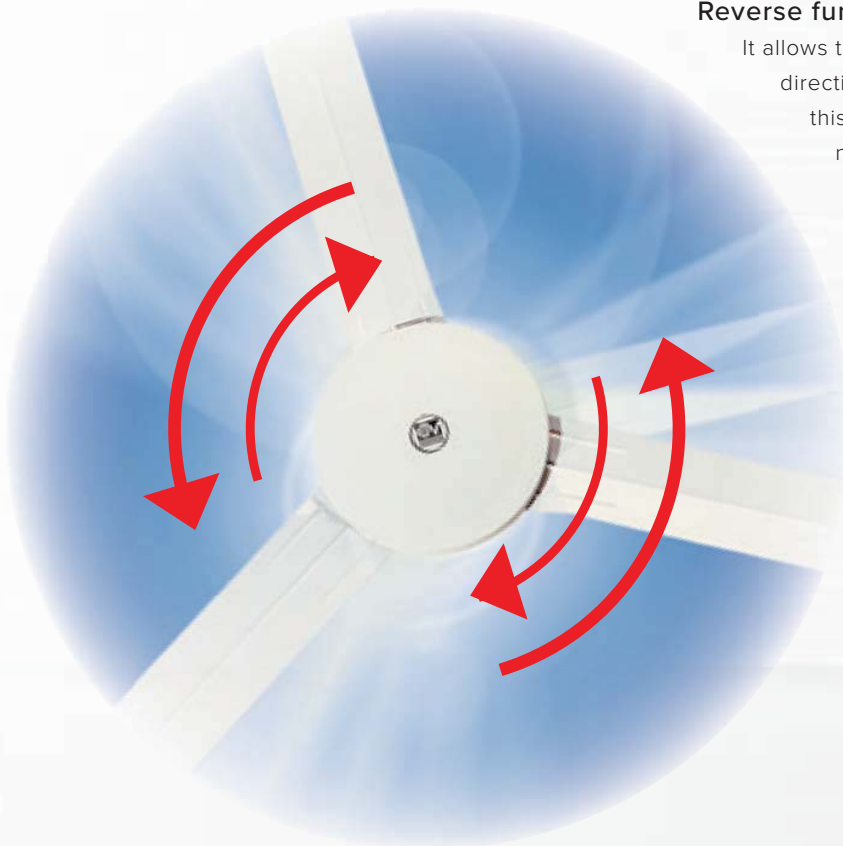
Reversible ceiling fans

Reversible ceiling-mounted fans with 3 blades, ideal for use in the presence of high relative humidity and splashes of water typical of contexts such as process industries, livestock farms, greenhouses, etc.

- Nominal diameter of blades 1400 mm.
- Top and bottom motor covers moulded from heat-resistant and UV-resistant thermoplastic resin (ABS), colour white.
- Wiring connections at end of ceiling rod concealed by domes moulded from impact- and UV-resistant PP, colour white.
- Single phase start capacitor motor with external rotor, and shaft turning in ball bearings. Direction of rotation reversible.
- Maximum air flow: 13.500 m³/h.
- 3 galvanized sheet steel blades powder coated with scratch-resistant polyester, colour white.
- Steel ceiling rod with polyester powder coated finish, colour white, length 375 mm.
- Bag of accessories containing nuts and bolts required for assembly of blades, ceiling hook and rubber anti-vibration washer.
- Speed selectable by way of control units (optional)
- Enclosure rating IPX5 ensuring complete protection from water spray.
- Insulation class: Cl.I ⚡.

Reverse function

It allows to reverse the air flow direction from floor to ceiling: this means that the flow is no longer direct, but wider and more all-round. It also helps reducing the difference in temperature between the floor (where the temperature is lower) and the ceiling (where it is winter time).



Steel ceiling attachment
hook for complete
operating safety

Wide selection of different
length support rods to blend
perfectly into any room.

Metal parts coated
with long-lasting pigments
and clear, scratch
resistant lacquer





NORDIK® INTERNATIONAL PLUS-R RANGE

Reversible ceiling fans

TECHNICAL DATA

MODELS	CODE	COLOR	V	HZ	W	A	RPM	NR. BLADE	MAX AIRFLOW m³/h	Kg
NORDIK INTERNATIONAL PLUS-R 140/56" IPX5	61742	WHITE	220 - 240	50	70	0.33	231	3	13500	6.2

NORDIK® INTERNATIONAL PLUS-R | TECHNICAL DATA FOR REGULATION N° 206/2012 UE

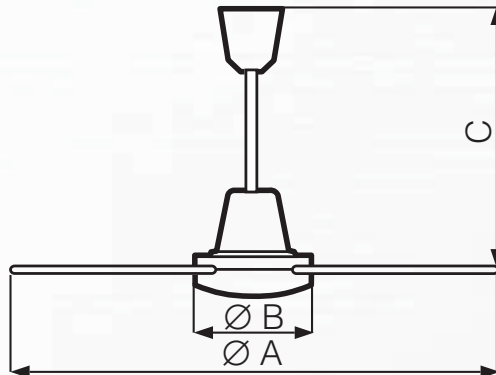
	SYMBOL	UNIT	PLUS 140/56" IPX5
CODE			61742
Maximum fan air flow	F	m³/min	225.00
Fanpower input	P	W	70
Service value	SV	(m³/min)W	3.214
Standby power consumption	PSB	kW	-
Fan sound power level	LWA	dB(A)	52.1
Maximum air velocity	C	m/sec	1.69

Measurement standard for service value

IEC 60879; EN62301: UNI EN ISO 3741

For more information refer to: Vortice Elettrosociali Spa, Strada Cerca, 2 - 20067 Zoate di Tribiano (MI) Italia

DIMENSIONS



MODELS	CODE	ØA	ØB	C
NORDIK INTERNATIONAL PLUS-R 140/56" IPX5	61742	1422	230	495

Dimensions (mm)





NORDIK® INTERNATIONAL PLUS-R RANGE

Ceiling fans

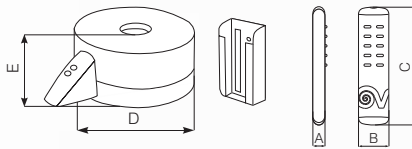
ACCESSORIES

TELENORDIK 5TR (code 22386)



- New infrared remote control 5 speeds-timer-reverse
- The receiver is hidden inside the fan casing, with only the tip in which the sensor is located protruding.
- Uses infrared transmission to eliminate possible interference with radios or other electrical units.
- Set consists of a receiver, which is fitted to the fan ceiling rod, a transmitter, which sends the desired commands to the fan and a transmitter carrying case which can be fixed to the wall.
- Provided with LED indicators showing operation and "stand-by" status (power on).
- Remote-control range: approximately 13 meters line of sight.
- Fan and remote-control unit are both IMQ approved.
- Easy to install as connections between the fan and fixed speed regulator are not necessary.
- Transmitter can control any TeleNordik receiver.

Remote control	-	infrared
Receiver Volt at 50 Hz	Hz	220-240
Stand by	W	0.558
Maximum load Watt	W	100
Transmitter battery	-	2 x AAA 1.5 V
Receiver	Kg	0.76
Transmitter	Kg	0.06
Insulation	-	Cl. II



Models	A	B	C	D	E
5TR	20	43	155	154	62

Dimensions (mm)

CEILING RODS

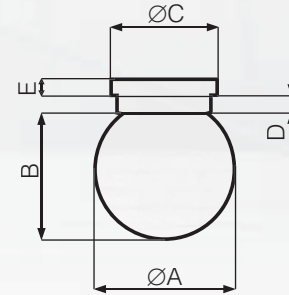
Various lengths to enable installation at desired height.



WHITE

- Asta NK I 200 mm (code 22632)
- Asta NK I 250 mm (code 22633)
- Asta NK I 350 mm (code 22642)
- Asta NK I 500 mm (code 22651)
- Asta NK I 750 mm (code 22674)
- Asta NK I 1000 mm (code 22677)

PLUS LIGHT KIT (code 22415)



- Kit for all the Nordik International Plus models.
- Lamp: max 150 W with E27 fitting.

Models	ØA	B	ØC	D	E	Kg
Decor Light Kit	200	180	130	35	20	1.8

SCNR5 (code 12955)



- 5 position speed controller for ceiling-mounted fans without light.
- Convertible to flush-mounted using SCB5 Kit.
- 220-240V ~ 50 Hz.
- Maximum load: 100W.
- Weight: 0.58 Kg.w
- Double insulation.

SCNRL5 (code 12957)



- 5 position speed controller for ceiling-mounted fans with light.
- Convertible to flush-mounted using SCB5 Kit.
- 220-240V ~ 50 Hz.
- Maximum load: 250W.
- Weight: 0.58 Kg.
- Double insulation.

SCNR/M (code 12982)



- Electronic speed controller for use with up to 6 ceiling-mounted fans.
- Convertible to flush-mounted.
- 220-240V ~ 50 Hz.
- Maximum load: 450W (2.5 A).
- Weight: 0.2 Kg.
- Double insulation.

C 2.5 (code 12967)



- Electronic speed controller for use with up to 6 ceiling-mounted fans.
- Convertible to flush-mounted using SCB5 Kit.
- 220-240V ~ 50 Hz.
- Maximum load: 450W (2.5 A).
- Weight: 0.2 Kg.
- Double insulation.

KIT SCB5 (code 22483)



- Kit to convert SCNR5 and SCNRL5 5 position controllers from surface to flush mounted.

KIT SCB (code 22481)



- Kit to convert C 2.5 electronic speed controller from surface to flush mounted.

FLUSH OR WALL MOUNTED CONTROLS

SC 503 B (cod. 12801)



SC 503 N (cod. 12802)



SC EXT B (cod. 12803)



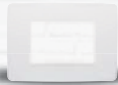
Thanks to their simple innovative design, these units more than meet the aesthetics expected of them for both domestic and commercial applications. Backing plate, knob, sliders and adapters made from polycarbonate; face plate and controller for wall mounting made from UV-resistant ABS. Both the flush and wall mounted versions come with:

- knob with settings from 0 to 5 for various speeds (0 = OFF, 1- 5 = fan speed);
- a LED that shows when the fan is ON.
- two slider switches - one for the light and the other to reverse the fan (where applicable).
- Vortice ceiling fan controls are IMQ approved solely and exclusively for use with Vortice ceiling fans.

AVAILABLE OPTIONAL ANCILLARIES



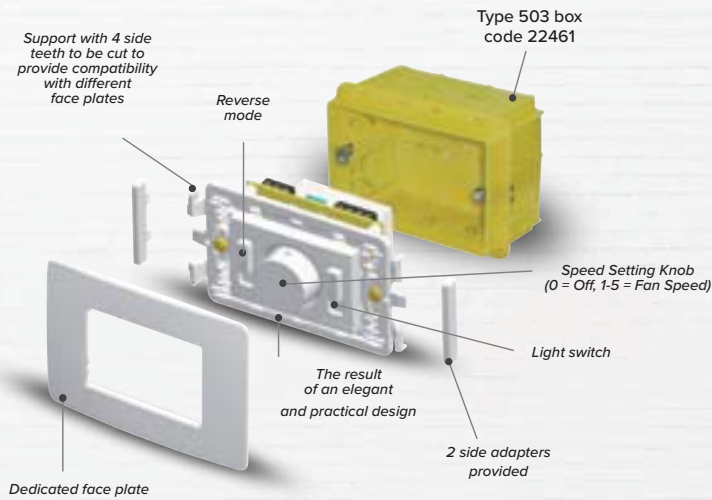
Anthracite grey face plate
code 22463



White face plate
code 22462



Recessed versions, thanks to an intermediate adjustable support, can be coupled with various existing standard face plates, satisfying diverse aesthetic requirements.



Power supply voltage (V): 220 - 240
Power supply frequency (Hz): 50
Max power consumption (W): 18

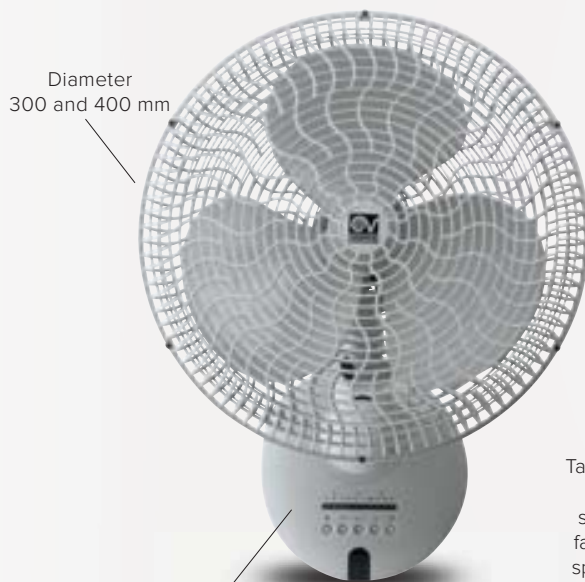


GORDON RANGE

Oscillating table, wall-mounting and pedestal fans

Suitable for domestic applications: kitchens, bathrooms, offices, shops, restaurants, bars, etc....

- 6 models: 2 table models, 2 wall models and 2 stand models.
- 2 nominal diameter 300 and 400 mm.
- Material: plastic resin able to withstand aging induced by exposure to sunlight (UV-resistant), and formulated with an antistatic compound to prevent accumulation of dust.
- 3 speed asynchronous motor with thermal overload protection and shaft turning in self-aligning and self-lubricating bushings, coupled to oscillating mechanism generating movement through an angle of approx 90° maximum.
- Motor housing equipped with hinge and clamp knob for adjustment of tilt angle.
- Rotary on/off switch and fan speed selector.
- On/off switch and speed selector (rotary control incorporated into rear of motor housing)
- Power cord with moulded plug.
- Equipped with stretch spiral power cord including plug.
- Maximum airflow 4000 m³/h.
- IMQ SAFETY and IMQ PERFORMANCE certifications.
- Protection rating: IP20
- Insulation class: CI.II.



Diameter
300 and 400 mm

Lit LEDs on the base of Gordon W models indicate when function is on



Diameter
300 and 400 mm

Table fans are controlled by a rotating switch set on the base of the fan, with which rotating speed can be switched on/off and varied in sequence



Gordon W remote control

Small and handy, for remote operation of the following functions: on, off, speed, oscillations, breeze, timers



Diameter
300 and 400 mm

Diameter
300 and 400 mm

Column models are
provided with a rod that
can be extended from
minimum 1480 mm to
maximum 1800 mm



GORDON RANGE

Oscillating table, wall-mounting and pedestal fans

TECHNICAL DATA

MODELS	CODE	COLOR	V	HZ	W	A	RPM	NR. BLADE	MAX AIRFLOW m ³ /h	IP	Kg
GORDON 30/12"	60610				35	0.18	1300		2400		2.4
GORDON 40/16"	60615	grey									2.7
GORDON C 40/16"	60620		220-240	50/60	40	0.19	1145		4000		5.4
GORDON C 40/16" N	60621	black						3			
GORDON W 30/12" ET	60643				35	0.18	1300		2400		2.7
GORDON W 40/16" ET	60641	grey			40	0.19	1145		4000	20	3.0

GORDON RANGE | TECHNICAL DATA FOR REGULATION N° 206/2012 UE

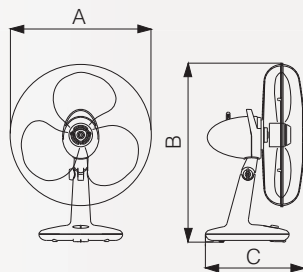
	SYMBOL	UNIT	GORDON 30/12"	GORDON 40/16"	GORDON C 40/16"	GORDON C 40/16" N	GORDON W 30/12" ET	GORDON W 40/16" ET
CODE			60610	60615	60620	60621	60643	60641
Maximum fan air flow	F	m ³ /min	40.00	66.67	66.67	66.67	40.00	66.67
Fanpower input	P	W	35	40	40	40	35	40
Service value	SV	(m ³ /min)W	1.143	1.667	1.667	1.667	1.143	1.667
Standby power consumption	PSB	kW	0	0	0	0	0.9950	0.9950
Fan sound power level	LWA	dB(A)	50.8	57.2	57.2	57.2	50.8	57.2
Maximum air velocity	C	m/sec	1.70	1.61	1.61	1.61	1.70	1.61

Measurement standard for service value

IEC 60879; EN62301: UNI EN ISO 3741

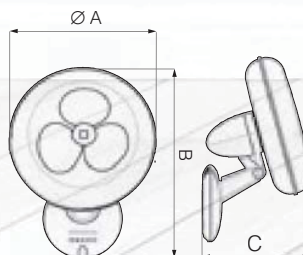
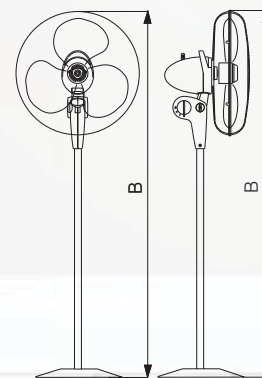
For more information refer to: Vortice Elettrosociali Spa, Strada Cerca, 2 - 20067 Zoate di Tribiano (MI) Italia

DIMENSIONS



MODELS	ØA	B	C
GORDON 30/12"	364	523.5	302.6
GORDON 40/16"	458	570.5	

Dimensions (mm)



MODELS	ØA	B	C
GORDON W 30/12" ET	365	550	335
GORDON W 40/16" ET	460	600	

Dimensions (mm)

MODELS	ØA	B	C
GORDON C 40/16"	458	min 1480 max 1800	420
GORDON C 40/16" N			

Dimensions (mm)



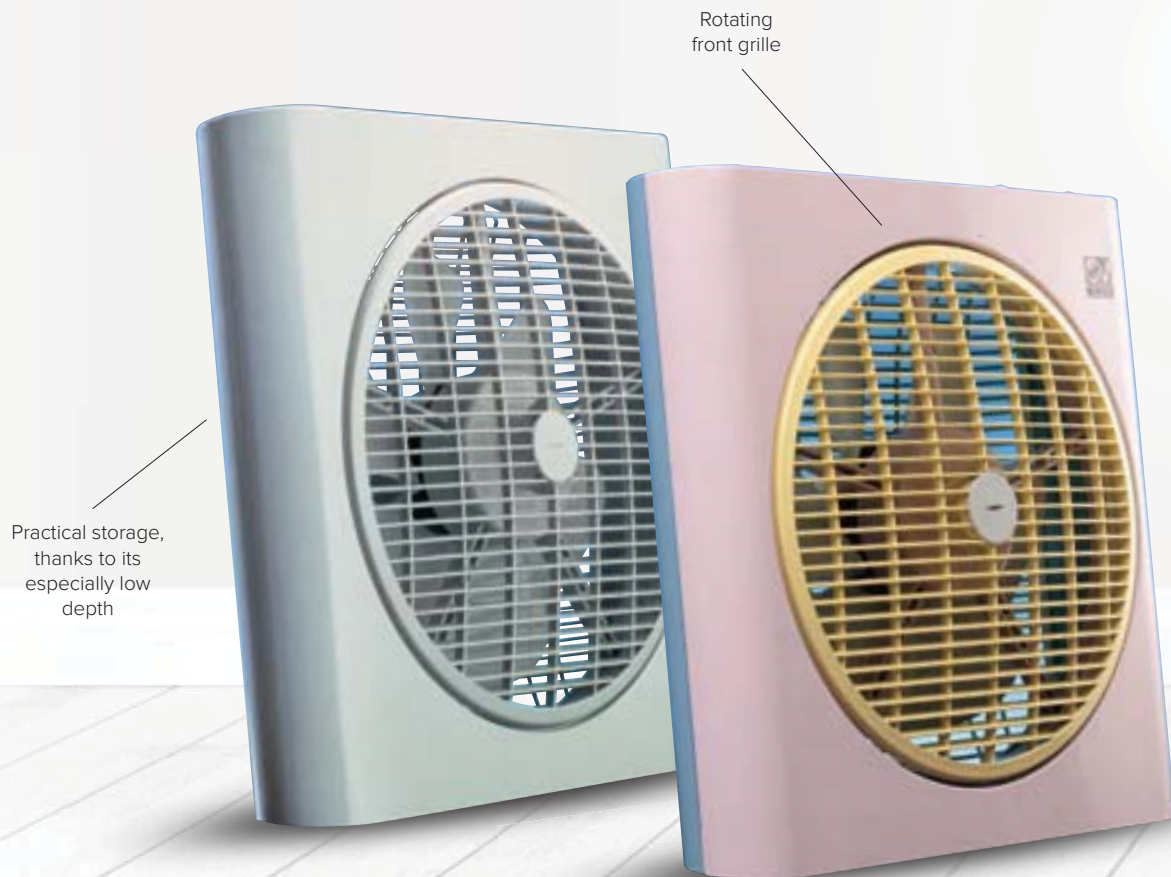


ARIANTE® RANGE

Rotating, multi-directional

Suitable for domestic and commercial applications due to its unique spiral airflow.

- Casing moulded from plastic resin able to withstand aging induced by exposure to sunlight (UV-resistant), and formulated with an antistatic compound to prevent accumulation of dust.
- Component parts are made in 5 pastel colours (pale yellow, grey, pink, sky blue, light green). Parts are assembled entirely at random, so that the mix of colours will always be different and the visual effect always pleasing and harmonious. There are no less than 78,125 possible combinations. In practice, every Ariante® 30 Arlecchino is different from all others of the series: a unique example of industrial art.
- Nominal diameter: 300 mm
- Protective grilles made of ABS impact- and UV-resistant thermoplastic resin: front grille rotatable, rear grille fixed.
- Fan rotor moulded from ABS thermoplastic resin.
- 3 speed asynchronous motor with shaft turning in self-aligning and self-lubricating bushings; thermal overload protection.
- Air flow 1300 m³/h
- Front grille rotation mechanism incorporating synchronous motor with rubber gear housed in the front part of the casing.
- Provided with two rotary switches: The first switch, which has 4 positions (OFF-1-2-3), is used to turn the fan on and off and select the three speeds of the rotor; the second switch, which has 2 positions (ON and OFF), is used to control the rotation of the front grille by turning the synchronous drive motor on or off.
- PVC power cord, length 1.80 m, with 10A moulded plug conforming to the requirements of the EU Machinery Directive.
- IM Q safety and performance certifications
- Recipient of the Compasso D'oro award for product design
- Insulation class: Cl.II





Practical storage,
thanks to its
especially low
depth

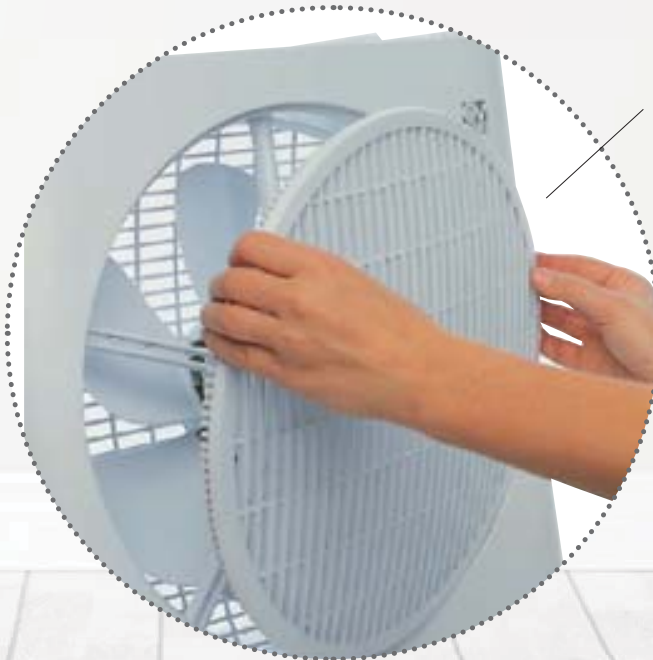


Control unit made up
of two rotary switches:
The first switch has 4 positions,
controls switch-on and switch-off
and allows for the selection of 3
speeds. The second switch
has 2 positions and controls
front grille rotation.

The power cable can be
wound and retracted into the
corresponding niche at the
bottom of the unit



Easy removable front
grille for simple cleaning
and maintenance





ARIANTE® RANGE

Rotating, multi-directional

TECHNICAL DATA

MODELS	CODE	COLOR	V 50/60HZ	W	A	RPM	NR. BLADE	MAX AIRFLOW m³/h	Kg
ARIANTE 30	60790	GREY	220 - 240	3	0.17	1075	6	1306	3.5
ARIANTE 30 ARLECCHINO	60795	MULTI COLOR							

ARIANTE® RANGE | TECHNICAL DATA FOR REGULATION N° 206/2012 UE

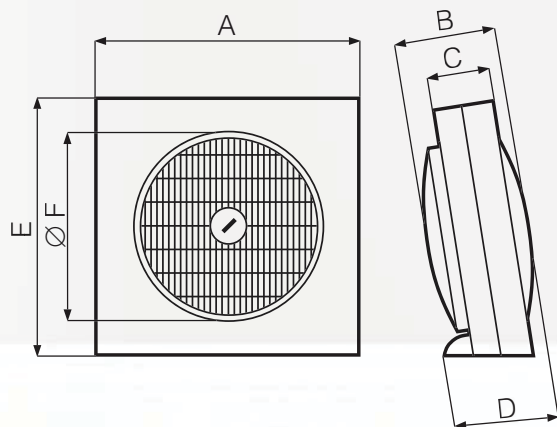
	SYMBOL	UNIT	ARIANTE 30	ARIANTE 30 ARLECCHINO
	CODE		60643	60641
Maximun fan air flow	F	m³/min	40.00	66.67
Fanpower input	P	W	35	40
Service value	SV	(m³/min)W	1143	1.667
Standby power consumption	PSB	kW	0.9950	0.9950
Fan sound power level	LWA	dB(A)	50.8	57.2
Maximum air velocity	C	m/sec	1.70	1.61

Measurement standard for service value

IEC 60879; EN62301: UNI EN ISO 3741

For more information refer to: Vortice Elettrosociali Spa, Strada Cerca, 2 - 20067 Zoate di Tribiano (MI) Italia

DIMENSIONS



MODELS	A	B	C	D	E	ØF
ARIANTE 30	440	162	90	175	440	335
ARIANTE 30 ARLECCHINO						

Dimensions (mm)





ARIANTE[®] TOWER SUPER

Oscillating tower fan

A latest generation fan, attractively styled and capable of guaranteeing effective cooling even over longer distances.

- Outer casing, base, tangential (cross-flow) impeller, scroll and remote control shell moulded from thermoplastic resin (ABS).
- Supporting structure provided by two extruded aluminium columns, one on either side, connected to the base and rotatable about a vertical axis through 60° approx to channel the flow of air in the preferred direction.
- 3 speed induction motor with start capacitor, shaft turning in high quality self-aligning and self-lubricating bushings; protected by thermal load limiter.
- Air flow 1300 m³/h.
- Mechanism inducing oscillation about vertical axis, driven by synchronous electric motor.
- Infrared remote control supplied as standard
- Remote control functions duplicated by Soft Touch local controls positioned at the top of the tower and protected by a cover provided with cushioned retaining catch.
- Set of luminous indicators located on the top front section of the tower casing, showing the selected operating mode of the appliance.
- PVC power cord, length 2 m, with 10A moulded plug (versions also available with Schuko 16A plug and UK 13A plug).
- Insulation class: Cl.II

Standard IR remote control: small and handy, works at a maximum distance of 5 m.



Lets you easily control all the following functions from a distance: on/off, impeller rotating speed, the 3 timer operating modes.

Practical remote control housing at the bottom of the unit





The on-board "soft touch" type controls replicate the remote control functions. They are housed at the top of the unit and protected by a cover fitted with a shockproof opening/closing system



Indicator light unit near the top of the front fan casing displays the set operating mode.





ARIANTE[®] TOWER SUPER

Oscillating tower fan

TECHNICAL DATA

MODELS	CODE	COLOR	V	HZ	W	A	RPM	NR. BLADE	MAX AIRFLOW m ³ /h	Kg
ARIANTE TOWER SUPER	63015	GREY	220 - 240	50/60	40	0.18	1200	Tang.	2323	5.2

ARIANTE[®] RANGE | TECHNICAL DATA FOR REGULATION N° 206/2012 UE

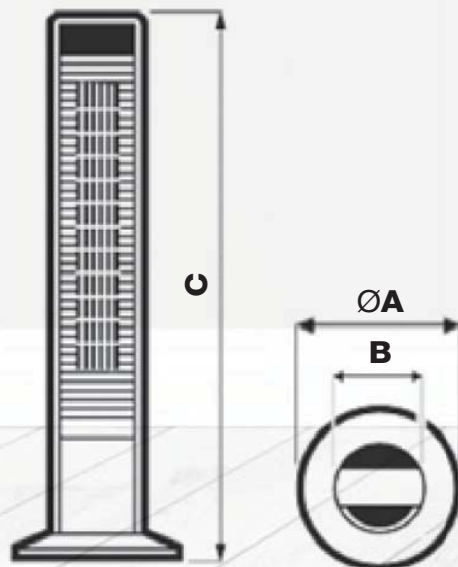
	SYMBOL	UNIT	ARIANTE TOWER SUPER
	CODE		63015
Maximun fan air flow	F	m ³ /min	38.72
Fanpower input	P	W	40
Service value	SV	(m ³ /min)W	0.968
Standby power consumption	PSB	kW	0.7240
Fan sound power level	LWA	dB(A)	55.2
Maximum air velocity	C	m/sec	2.52

Measurement standard for service value

IEC 60879; EN62301: UNI EN ISO 3741

For more information refer to: Vortice Elettrosociali Spa, Strada Cerca, 2 - 20067 Zoate di Tribiano (MI) Italia

DIMENSIONS



MODELS	CODE	ØA	B	C
ARIANTE TOWER SUPER	63015	306	172	1050

Dimensions (mm)



Predstavništvo za Srbiju
AIRTREND Ltd.
Kumanovska 14
11000 Beograd, Srbija
Telefon +381 (0)11 383 6886, 308 5740
Telefax +381 (0)11 344 4113
E-mail gobrid@eunet.rs
www.airtrend.rs

Distribucija i prodaja
KOVENT
Kumanovska 14
Tel: 011 383 6886, 308 5740
Fax: 011 344 4113
E-mail office@kovent.rs
www.kovent.rs

